



CROSS FLOW FAN

JIN YIH SHYANG ENTERPRISE CO., LTD.



Single Blower



Double Blower



Triple Blower



BAUART
GEPRUFT
TYPE
APPROVED



RoHS



公司簡介

本公司成立於民國 82 年，為台灣最專業之橫流扇製造廠，機種最多，各種規格齊全，有堅強的研發團隊及完整的檢測儀器和設備，如全自動風流量及靜壓測試機（風洞）、半無迴響室（噪音測試室）、高低溫環境試驗機、振動計、溫度記錄器及扇葉動平衡試驗機...等數十台檢測設備，產品品質優良、可靠、耐用，2012年領先其他競爭對手推出直流三相無碳刷風機馬達，搭配最好的橫流風扇，成為低噪音、低震動、高效率、高品質的JYS風扇，積極擴展冷卻和加熱解決方案的創新方法，保持了我們在這個行業的領先地位，以JYS之品牌行銷全球。

Company Profile

Jin Yin Shyang Enterprise Co., Ltd, Established in 1993, the company maintains design and manufacturing facilities in Taiwan only. We are the most professional manufacturer of cross flow fans with various models and wide range of specifications. With our elite Research and development engineers team and most advance testing equipments, such as Automatic Air Flow Rate, Pressure Measurement Apparatus, Free Field Semi-Anechoic Room, Constant High and Low Temperature Tester Chamber, Vibroscope, Thermograph and Rotor Stabilizer, etc. Most of our cross flow fans with RoHS, CE, UL & TUV certified designed for cooling or heating application. We enjoyed a good reputation and satisfaction in our reliable quality. In year of 2012, we were in the lead of other competitors to designed and produced the DC 3-Phase brushless motor, improve with lower noise, reduce vibration, high efficiency and top grade quality of JYS' brand cross flow fans to all over the world. Aggressive expansion of innovative approaches to cooling and heating solutions maintains our position at the forefront of this industry fled.





Product Synopsis

- IMPELLER : ALUMINUM ALLOY
- BEARING : BALL BEARING OR SLEEVE BEARING
- MOTOR : AC CAPACITY, AC SHADED POLE, DC BRUSHLESS OR DC BRUSH TYPE
- INSULATION CLASS : E.B.F
- INSULATION WITHSTAND VOLTAGE : AC 1500V (50/60HZ) ONE MIN NUTE
- INSULATION RESISTANCE : ABOVE 100MΩDC500V
- OPERATING TEMPERATURE : 0°C~45°C
- LIFE : BALL BEARING : 30000 HOURS (At 40°C)
SLEEVE BEARING : 10000 HOURS (At 40°C)
- SAFETY APPROVAL: UL, CUL CE TUV

Production capacity

cross flow fan 150,000 / month

JIN-YIH SHYANG Ventilator Features

- The aluminum made alloy CROSS FAN is temperature resistant and has qualities of light in weight, low in noise, and minimum vibration high strength and long life.
- The angle and the length of CROSS FAN leaves are easily adjustable to adapt to any customers existing requirement.
- The motor bearing of the ventilator is protected by a layer of grease which would allow 15,000 hours of usage without regreasing.
- JIN YIH SHYANG CROSS FLOW FAN is designed small in size with high efficiency.
- The ventilator is especially suitable to incorporate with products that are light, thin and small.



送風機特性主要測試設備

CROSS FLOW FAN PERFORMANCE TESTING EQUIPMENT

半無迴響室

Equipment Name: Free Field Semi-Anechoic Room

Cutoff Frequency: 125 Hz (Test By ISO-3745 Standard).

Apply to Test Standard: ISO-3745



風量靜壓測試機

Equipment Name: Air Flow Rate & Pressure Measurement Apparatus

Meeting AMCA 210 – 99 Standard

Including Fig 12 & Fig 15 Structure



Description Of Model Number

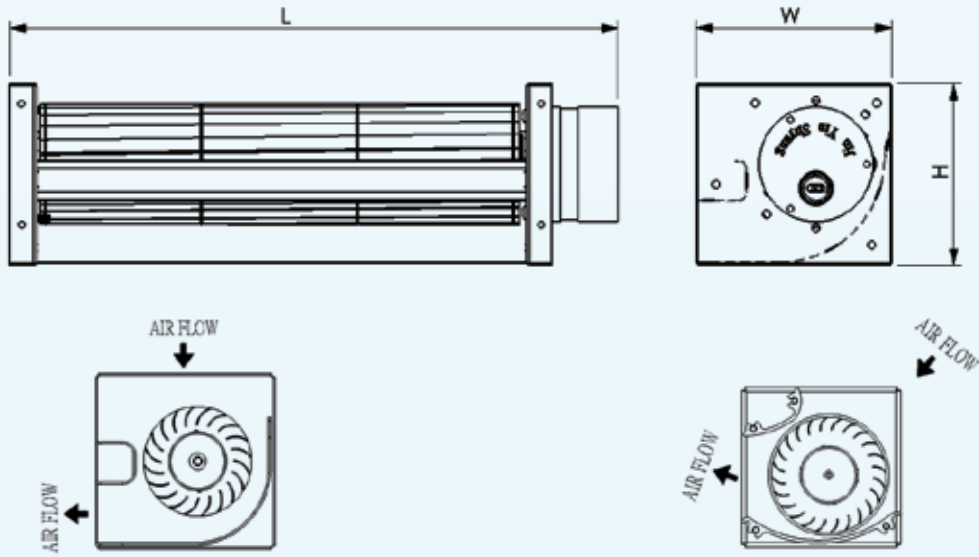
<u>J</u>	<u>E</u>	<u>D</u> –	<u>060</u>	<u>30</u>	<u>A</u>	<u>12</u>	<u>Q</u> –	<u>3B</u>
1	2	3	4	5	6	7	8	9

1. J: JIN YIH SHYANG
2. E: TYPE OF HOUSING
3. D: TYPE OF MOTOR
 - D: DC BRUSHLESS MOTOR
 - C: AC CAPACITY MOTOR
 - 3: DC BRUSHLESS 3PHASE MOTOR
 - WITHOUT D OR C OR 3 : AC SHADED POLE
4. DIAMETER OF FAN ROTOR:
 - 060: 60mm
 - 110: 110mm
5. LENGTH OF FAN ROTOR:
 - 15: 15cm
 - 30: 30cm
 - 68: 68cm
6. POSITION OF MOTOR.
 - A: RIGHT SIDE
 - B: LEFT SIDE
7. INPUT VOLTAGE:
 - 12: AC 120V ; DC 12V
 - 23: AC 230V
 - 24: DC 24V
 - 48: DC 48V
8. R.P.M:
 - H: HIGH
 - M: MEDIUM
 - L: LOW
 - Q: SILENT VERSION
9. BEARING TYPE:
 - 3B: BALL BEARING X 3 PCS
 - S : SLEEVE BEARING X 3 PCS





Index Guide Of Air Flow Direction



A
C
F
A
N

Page	Model	SIZE (mm)			Air Flow (m³/min)
		W	H	L	
7	JE-030A	50	48	154~366	0.4~1.7
8	JE-040A	60	60	160~366	0.5~2.0
11	JE-050A	70	70	162~437	0.7~2.6
12	JF-050A	70	70	512~692	3.6~6.1
13	JE-060A	98	90	257~525	1.8~5.1
15	JEC-060A	98	90	415~538	5.2~7.5
16	JFC-060A	108	108	520~700	4.9~9.0
17	JGC-060A	98	90	622~802	5.5~7.7
21	JGC-065A	112	100	399~799	4.4~10.0
23	JFC-090B	136	136	415~1005	5.8~19.4
24	JFC-110B	187	184	498~1010	12~33
25	JEC-150A	218	230	866~1166	33~50

AC
FAN

Page	Model	SIZE (mm)			Air Flow (m³/min)
		W	H	L	
10	JE-043A	60	60	160~435	0.7~3.3
18	JHC-060A	83	83	405~805	3.4~7.6
22	JHC-081A	113	113	512~810	5.2~8.5
26	JVD-025A	30	35	128~228	0.25~0.43
30	JQ3-043A	60	60	306~346	2.0~2.2
31	JE3-043A	60	60	133~400	0.6~2.8
35	JH3-060A	83	83	369~669	3.6~6.3
40	JH3-081A	113	113	518~798	7.2~11.0

DC
FAN

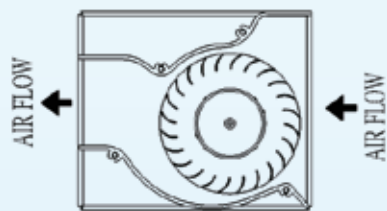
D
C
F
A
N

26	JED-025A	38	33	128~328	0.31~0.85
27	JED-030A	50	48	133~335	0.5~1.3
27	JF3-030A	50	48	680~880	3.2~4.2
28	JL3-030A	50	47.5	288~406	1.3~2.7
29	JED-040A	60	60	133~195	0.7~1.0
29	JE3-040A	60	60	233~450	1.3~3.5
29	JF3-040A	60	60	670~870	3.7~4.6
32	JG3-045A	65	65	686~926	5.6~7.6
32	JQ3-045A	79.5	69.5	243~483	1.9~3.6
33	JF3-045A	80	72	686~926	5.9~8.1
34	JE3-050A	70	70	148~478	1.3~4.2
34	JF3-050A	70	70	486~926	4.0~7.2
36	JE3-060A	98	90	169~489	1.9~5.3
36	JG3-060A	98	90	590~953	6.2~11.4
37	JE3-060BH	98	90	405~528	7.5~9.3
37	JQF3-060A	97	84	170~430	1.8~5.6
38	JQ3-065A	109	90	250~490	2.2~5.1
39	JG3-065A	112	100	373~961	5.3~13.5
40	JF3-081A	136	128	525~905	10.7~17.3

AC
FAN

Page	Model	SIZE (mm)			Air Flow (m³/min)
		W	H	L	
9	JM-040A	60	60	371~475	1.3~2.0
14	JM-060A	100	85	393~613	3.5~5.9
19	JMC-060A	100	85	525~805	5.0~8.4
30	JM3-040A	60	60	351~451	1.6~2.0
33	JM3-050A	82	75	486~666	3.8~5.2
35	JM3-060A	100	85	370~953	3.3~8.2

DC
FAN





2018 - Index

- 1 Company Profile
- 2 Company Profile
- 3 Main Testing Equipment
- 4 Description Of Model Number
- 5 Index Guide Of Air Flow Direction
- 6 Index

AC Tangential Fan

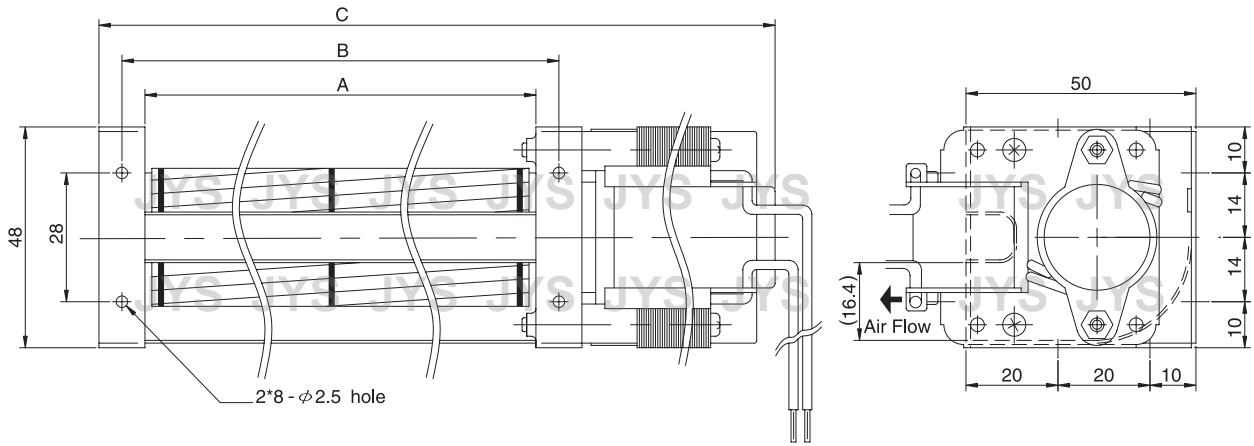
- 7 JE-030A
- 8 JE-040A
- 9 JM-040A
- 10 JE-043A
- 11 JE-050A
- 12 JF-050A
- 13 JE-060A
- 14 JM-060A
- 15 JEC-060A
- 16 JFC-060A
- 17 JGC-060A
- 18 JHC-060A
- 19 JMC-060A
- 20 JVC-060A
- 21 JGC-065A
- 22 JHC-081A
- 23 JFC-090B
- 24 JFC-110B
- 25 JEC-150A

DC Tangential Fan

- 26 JED-025A / JVD-025A
- 27 JED-030A / JF3-030A
- 28 JL3-030A
- 29 JED-040A / JE3-040A / JF3-040A
- 30 JM3-040A / JQ3-043A
- 31 JED-043A / JE3-043A
- 32 JG3-045A / JQ3-045A
- 33 JF3-045A / JM3-050A
- 34 JE3-050A / JF3-050A
- 35 JH3-060A / JM3-060A
- 36 JE3-060A / JG3-060A
- 37 JE3-060BH / JQF3-060A
- 38 JQ3-065A
- 39 JG3-065A
- 40 JH3-081A / JF3-081A
- 41 JAC-110
- 42 INTEGRATION INSTRUCTION

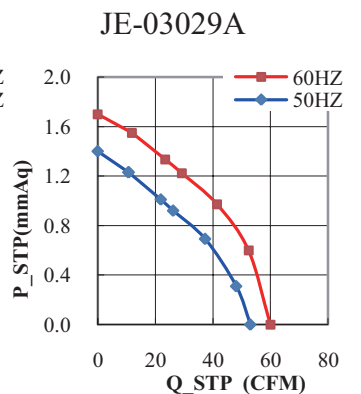
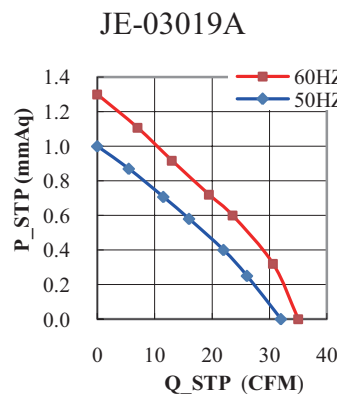
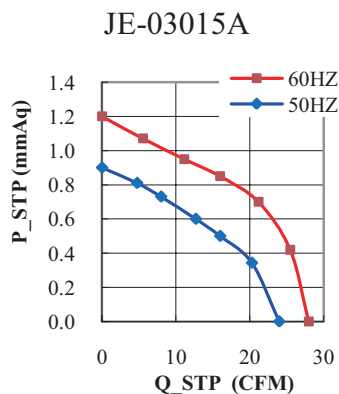
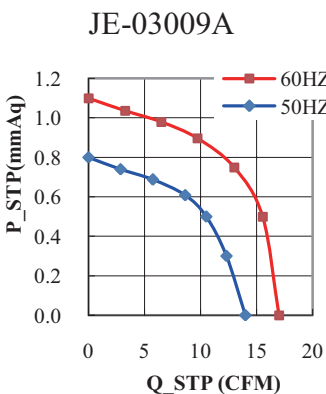


JE-030A SERIES AC FAN

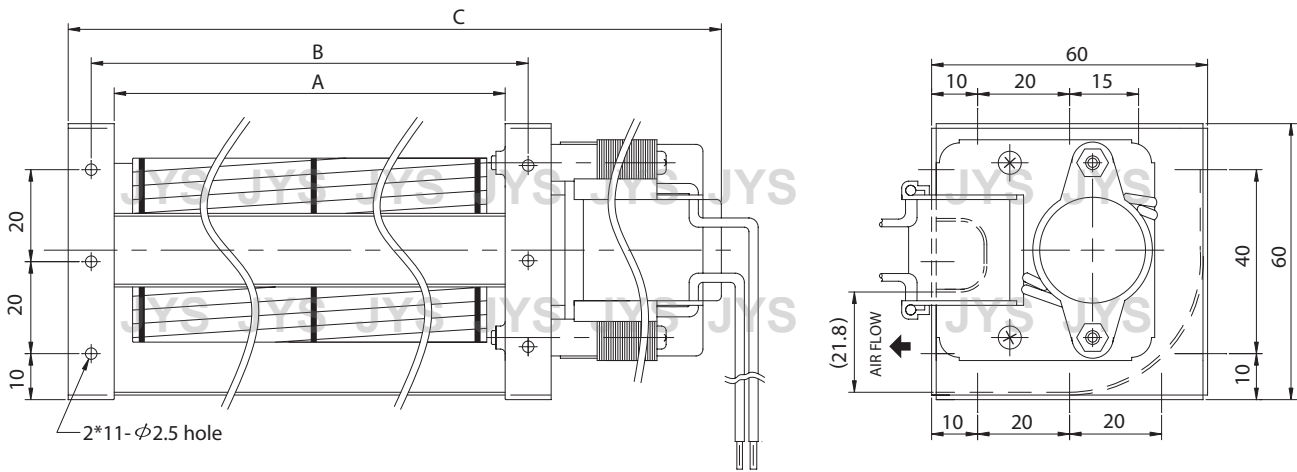


Motor : AC Shaded Pole type 1φ 2p

Spec. Model	Size (mm)			Rated Voltage (V)	Rated Frequency (Hz)	Rated Current (A)	Input Power (W)	Speed (r.p.m.)	Max Pressure (mmAq)	Maximum Air Flow (m ³ /min)	CFM	Noise (dBA)	Safety Approval			Weight (g)
	A	B	C										UL	TUV	CE	
JE-03009A12	98	108	154	120	50/60	0.11/0.09	8/7	2500/2900	0.8/1.1	0.4/0.5	14/17	27/30			○	390
JE-03009A23				230	50/60	0.07/0.05	8/7	2500/2900	0.8/1.1	0.4/0.5	14/17	27/29		○	○	
JE-03015A12	160	170	222	120	50/60	0.14/0.12	9/8	2700/3100	0.9/1.2	0.7/0.8	24/28	31/34	○		○	530
JE-03015A23				230	50/60	0.09/0.07	10/9	2700/3100	0.9/1.2	0.7/0.8	24/28	31/34	○	○	○	
JE-03019A12	198	208	260	120	50/60	0.14/0.12	9/8	2700/3100	1.0/1.3	0.9/1.0	32/35	31/34	○		○	550
JE-03019A23				230	50/60	0.09/0.07	11/9	2700/3100	1.0/1.3	0.9/1.0	32/35	31/34	○	○	○	
JE-03029A12	300	310	366	120	50/60	0.20/0.17	15/13	2700/3100	1.4/1.7	1.5/1.7	53/60	34/37	○		○	670
JE-03029A23				230	50/60	0.09/0.07	12/11	2700/3100	1.4/1.7	1.5/1.7	53/60	33/36	○	○	○	

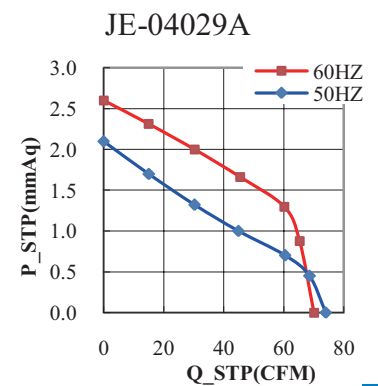
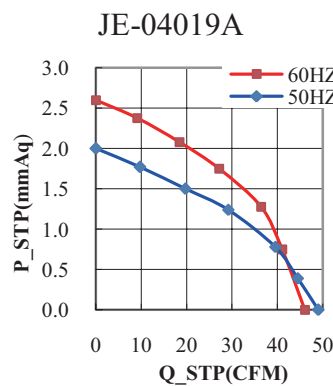
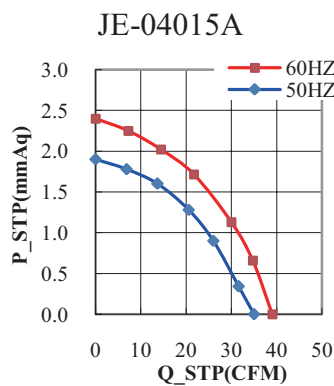
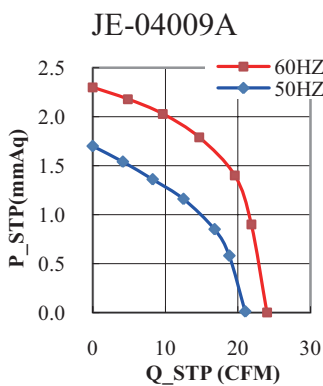


JE-040A SERIES AC FAN



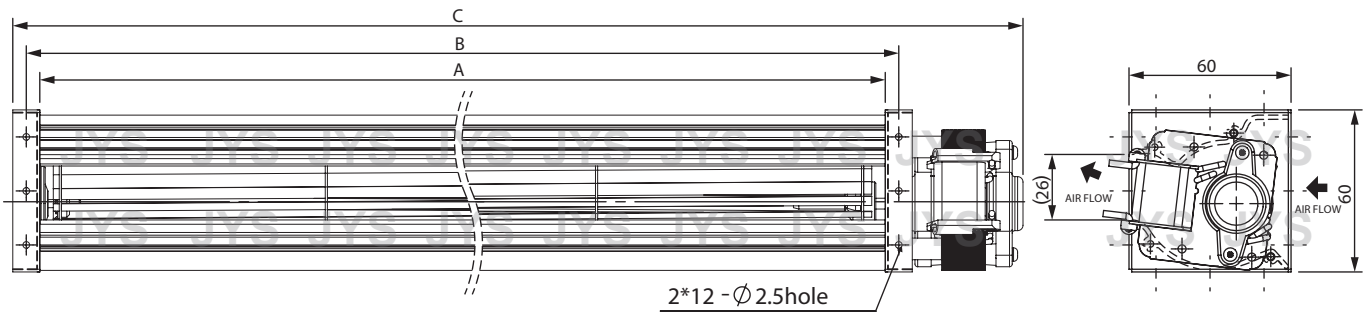
Motor : AC Shaded Pole type 1φ 2p

Spec. Model	Size (mm)			Rated Voltage (V)	Rated Frequency (Hz)	Rated Current (A)	Input Power (W)	Speed (r.p.m.)	Max Pressure (mmAq)	Maximum Air Flow (m ³ /min)	CFM	Noise (dBA)	Safety Approval			Weight (g)
	A	B	C										UL	TUV	CE	
JE-04009A12	98	108	160	120	50/60	0.14/0.12	10/9	2700/3000	1.7/2.3	0.6/0.7	21/24	32/35	○		○	520
JE-04009A23				230	50/60	0.09/0.07	11/9	2700/3000	1.7/2.3	0.6/0.7	21/24	33/36	○	○	○	
JE-04015A12	160	170	222	120	50/60	0.15/0.13	11/10	2600/2800	1.9/2.4	1.0/1.1	35/39	34/36	○		○	560
JE-04015A23				230	50/60	0.09/0.07	11/9	2600/2800	1.9/2.4	1.0/1.1	35/39	34/37	○	○	○	
JE-04019A12	198	208	260	120	50/60	0.15/0.13	10/9	2500/2400	2.0/2.6	1.4/1.3	49/46	34/35	○		○	600
JE-04019A23				230	50/60	0.09/0.07	12/11	2500/2400	2.0/2.6	1.4/1.3	49/46	34/36	○	○	○	
JE-04029A12	300	310	366	120	50/60	0.23/0.21	17/16	2400/2300	2.1/2.6	2.1/2.0	74/70	38/38	○		○	730
JE-04029A23				230	50/60	0.10/0.09	13/13	2400/2300	2.1/2.6	2.1/2.0	74/70	35/34	○	○	○	





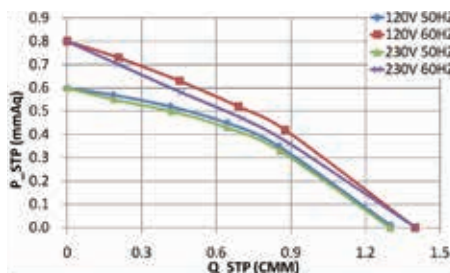
JM-040A SERIES AC FAN



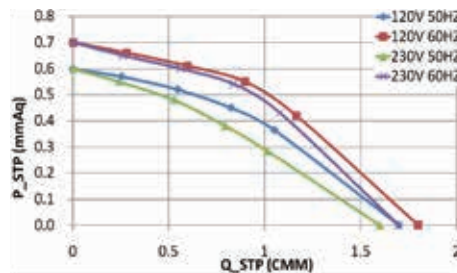
Motor : AC Shaded Pole type 1 ϕ 2p

Spec. Model	Size(mm)			Rated Voltage (V)	Rated Frequency (HZ)	Rated Current (A)	Input Power (W)	Speed (r.p.m.)	Max Pressure (mmAq)	Maximun Air Flow (m ³ /min)	Noise (dBA)	Weight (g)	Safety Approval		
	A	B	C										UL	TUV	CE
JM-04030A12-3B	310	320	371	120	50/60	0.15/0.13	11/10	2500/2600	0.6/0.8	1.3/1.4	28/29	700			
JM-04030A23-3B				230	50/60	0.09/0.08	14/13	2500/2700	0.6/0.8	1.3/1.4	28/30				
JM-04035A12-3B	360	370	425	120	50/60	0.22/0.19	16/15	2600/2900	0.6/0.7	1.7/1.8	29/32	805			
JM-04035A23-3B				230	50/60	0.09/0.08	13/12	2500/2700	0.6/0.7	1.6/1.7	28/30				
JM-04040A12-3B	410	420	475	120	50/60	0.22/0.20	15/14	2600/2800	0.6/0.8	1.8/2.0	29/31	845			
JM-04040A23-3B				230	50/60	0.09/0.08	13/12	2500/2600	0.6/0.7	1.7/1.8	28/29				

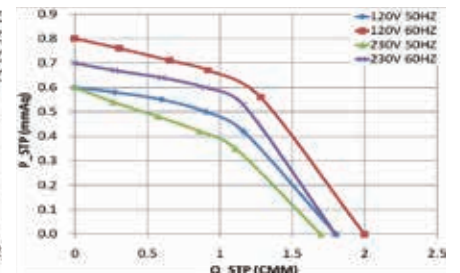
JM-04030A



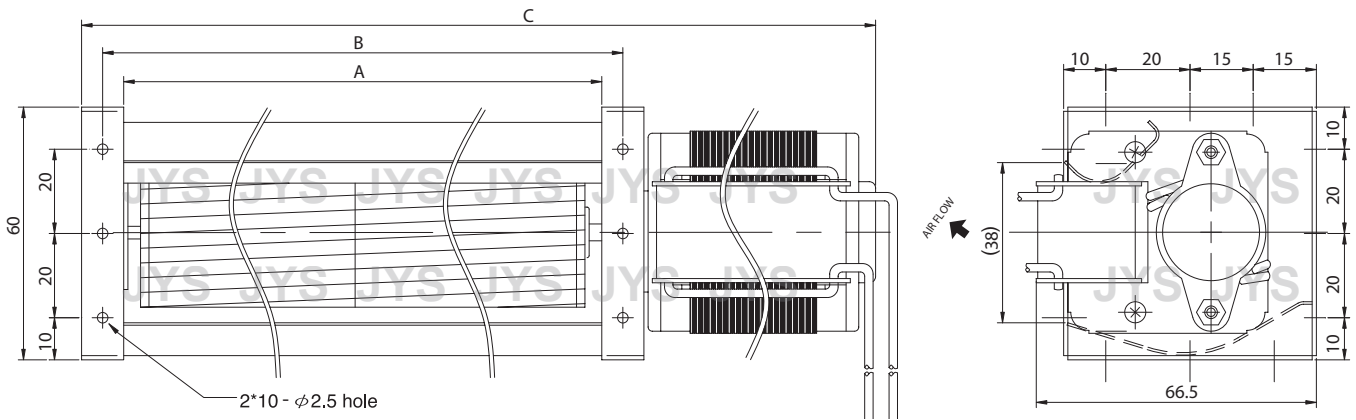
JM-04035A



JM-04040A

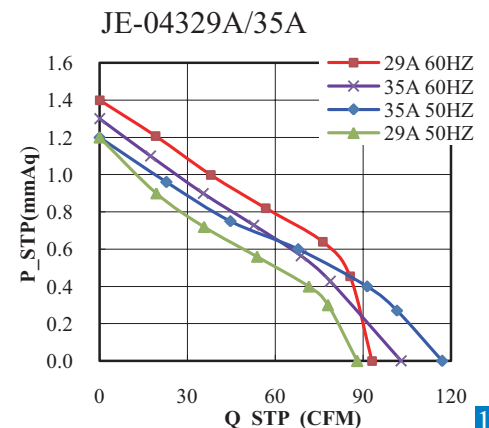
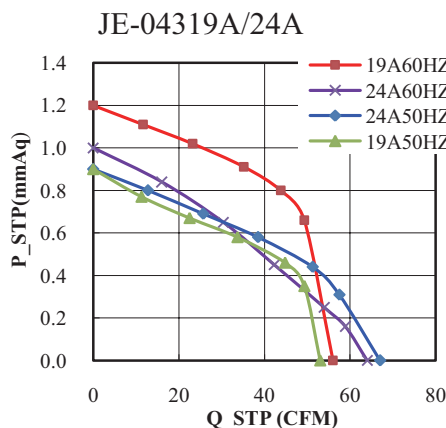
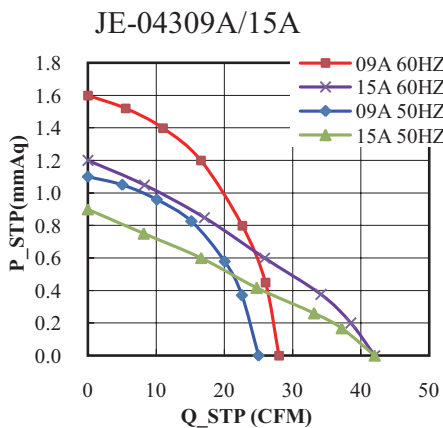


JE-043A SERIES AC FAN



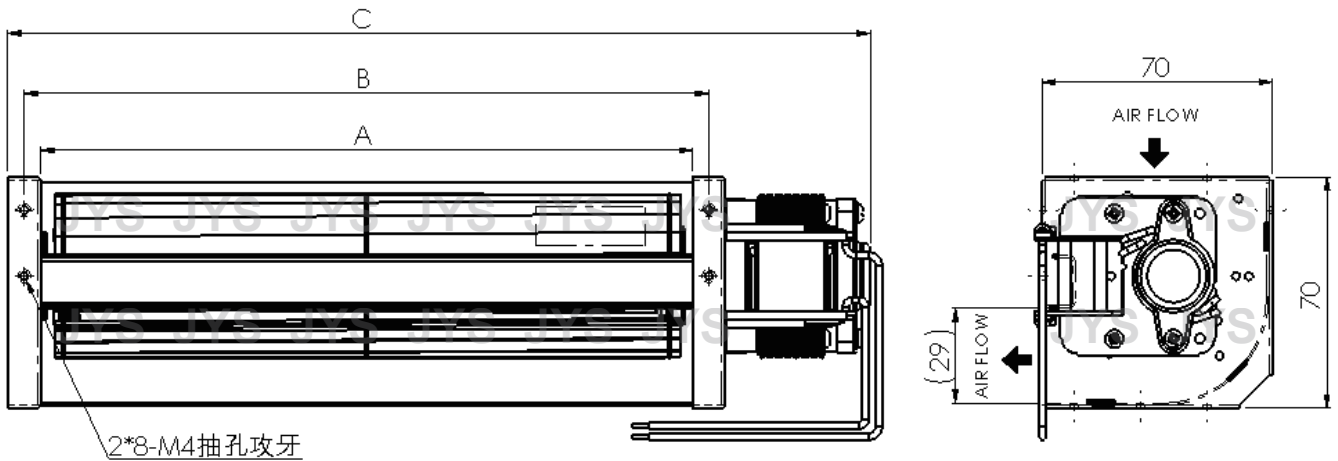
Motor : AC Shaded Pole type 1 φ 2p

Model	Spec.	size (mm)			Rated Voltage (V)	Rated Frequency (Hz)	Rated Current (A)	Input Power (W)	Speed (r.p.m.)	Max Pressure (mmAq)	Maximum Air Flow (m ³ /min)	CFM	Noise (dBA)	Safety Approval			Weight (g)
		A	B	C										UL	TUV	CE	
JE-04309A12		98	108	160	120	50/60	0.14/0.12	10/9	2600/3000	1.1/1.6	0.7/0.8	25/28	37/40			O	520
JE-04309A23					230	50/60	0.08/0.07	10/9	2600/3000	1.1/1.6	0.7/0.8	25/28	38/41			O	
JE-04315A12		160	170	222	120	50/60	0.15/0.13	11/10	2300/2200	0.9/1.2	1.2/1.2	42/42	37/35			O	550
JE-04315A23					230	50/60	0.08/0.07	11/10	2300/2200	0.9/1.2	1.2/1.2	42/42	38/36			O	
JE-04319A12		198	208	264	120	50/60	0.22/0.19	15/14	2400/2500	0.9/1.2	1.5/1.6	53/56	39/40			O	650
JE-04319A23					230	50/60	0.09/0.08	13/12	2400/2500	0.9/1.2	1.5/1.6	53/56	38/36			O	
JE-04324A12		250	260	315	120	50/60	0.22/0.20	16/15	2400/2300	0.9/1.0	1.9/1.8	67/70	39/38	O	O	O	680
JE-04324A23					230	50/60	0.09/0.08	13/12	2300/2000	0.9/1.0	1.8/1.6	63/56	37/34			O	
JE-04329A12		300	310	375	120	50/60	0.32/0.29	22/21	2600/2900	1.2/1.4	2.5/2.7	88/95	44/45	O	O	O	890
JE-04329A23					230	50/60	0.14/0.13	19/18	2500/2500	1.2/1.4	2.5/2.5	88/88	43/42	O	O	O	
JE-04335A12		360	370	435	120	50/60	0.34/0.32	23/23	2500/2500	1.2/1.3	3.3/3.3	117/117	43/43	O	O	O	920
JE-04335A23					230	50/60	0.15/0.14	20/19	2400/2100	1.2/1.3	3.2/2.5	113/88	42/39	O	O	O	





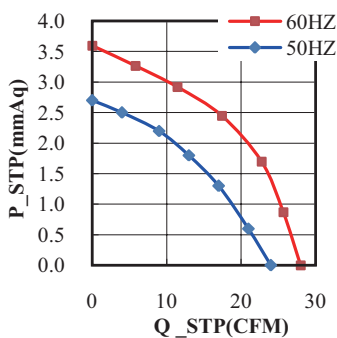
JE-050A SERIES AC FAN



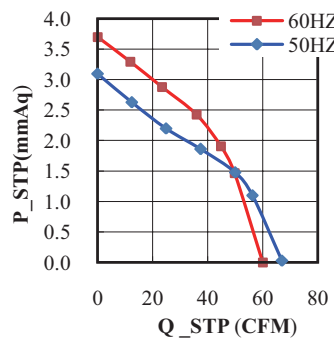
Motor : AC Shaded Pole type 1 ϕ 2p

Model	Spec	Size(mm)			Rated Voltage (V)	Rated Frequency (Hz)	Rated Current (A)	Input Power (W)	Speed (r.p.m)	Max Pressure (mmAq)	Maximum Air Flow (m ³ /min)	CFM	Noise (dBA)	Safety Approval			Weight (g)
		A	B	C										UL	TUV	CE	
JE-05009A12	98 108 162	98	108	162	120	50/60	0.15/0.13	11/10	2300/2400	2.7/3.6	0.7/0.8	24/28	36/37	O		O	610
JE-05009A23					230	50/60	0.09/0.07	11/10	2300/2400	2.7/3.6	0.7/0.8	24/28	36/37	O	O	O	
JE-05019A12	198 208 267	198	208	267	120	50/60	0.23/0.21	18/16	2000/1600	3.1/3.7	1.9/1.7	67/60	36/33	O		O	770
JE-05019A23					230	50/60	0.10/0.09	14/13	1900/1400	3.1/3.6	1.8/1.6	63/56	35/32	O	O	O	
JE-05029A12	298 308 377	298	308	377	120	50/60	0.35/0.33	24/24	2200/1800	3.7/4.3	3.3/2.5	116/88	41/37	O		O	1100
JE-05029A23					230	50/60	0.15/0.14	21/20	2100/1500	3.7/4.1	3.3/2.3	116/81	41/35	O	O	O	
JE-05035A12	358 368 437	358	368	437	120	50/60	0.35/0.33	23/23	2100/1500	3.7/4.3	3.1/2.9	110/103	41/36			O	1200
JE-05035A23					230	50/60	0.15/0.14	20/19	1900/1300	3.5/4.0	3.0/2.6	110/92	40/34			O	

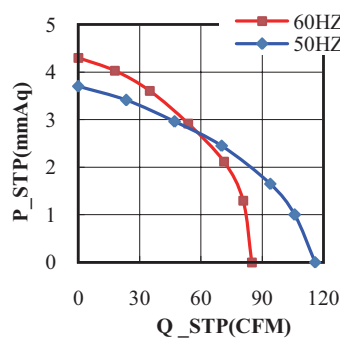
JE-05009A



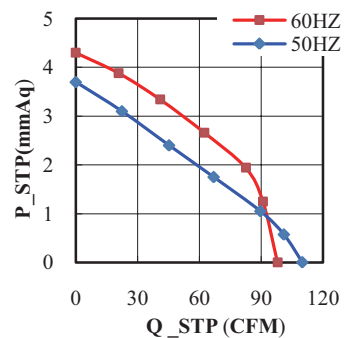
JE-05019A



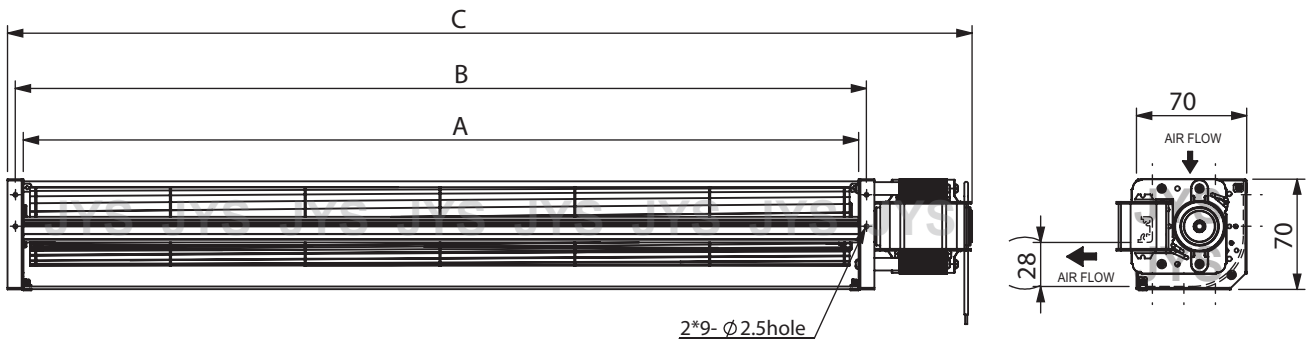
JE-05029A



JE-05035A



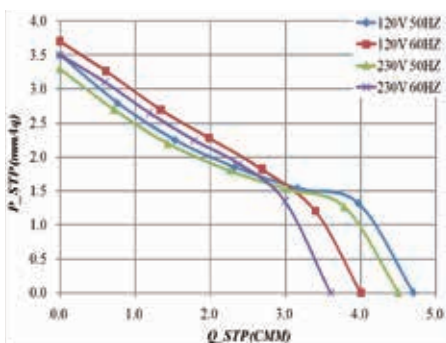
JF-050A SERIES AC FAN



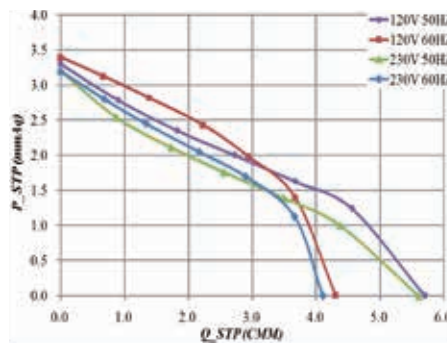
Motor : AC Shaded Pole type 1 ϕ 2p

Model	Spec.	Size(mm)			Rated Voltage (V)	Rated Frequency (Hz)	Rated Current (A)	Input Power (W)	Speed (r.p.m.)	Max Pressure (mmAq)	Maximum Air Flow (m ³ /min)	Noise (dBA)	Weight (kg)
		A	B	C									
JF-05042A12-3B		430	440	512	120	50/60	0.46/0.44	30/30	2450/2300	3.5/3.7	4.7/4.0	47/45	1.50
JF-05042A23-3B					230	50/60	0.25/0.24	32/30	2350/2000	3.3/3.5	4.5/3.6	46/41	
JF-05052A12-3B		530	540	612	120	50/60	0.48/0.46	32/31	2250/1900	3.3/3.4	5.7/4.3	46/41	1.60
JF-05052A23-3B					230	50/60	0.25/0.24	33/32	2200/1700	3.2/3.2	5.6/4.1	45/38	
JF-05060A12-3B		610	620	692	120	50/60	0.49/0.47	33/32	2200/1700	3.5/3.2	6.1/4.5	47/38	1.65
JF-05060A23-3B					230	50/60	0.26/0.24	34/32	2100/1550	2.8/3.0	5.4/4.2	46/34	

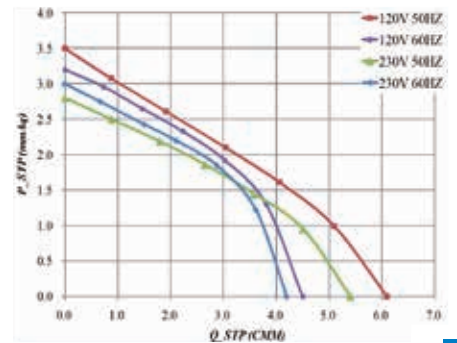
JF-05042A-3B



JF-05052A-3B

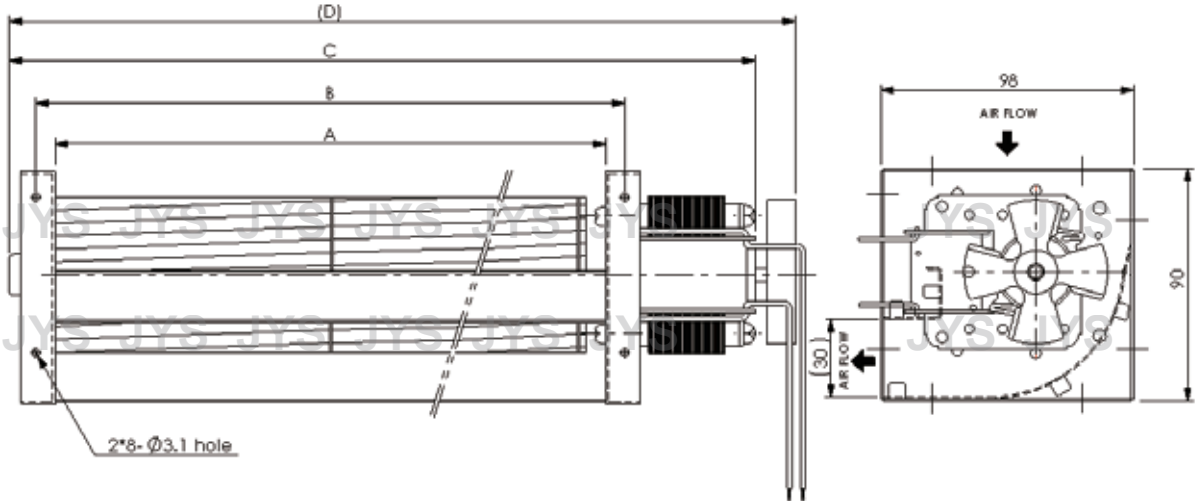
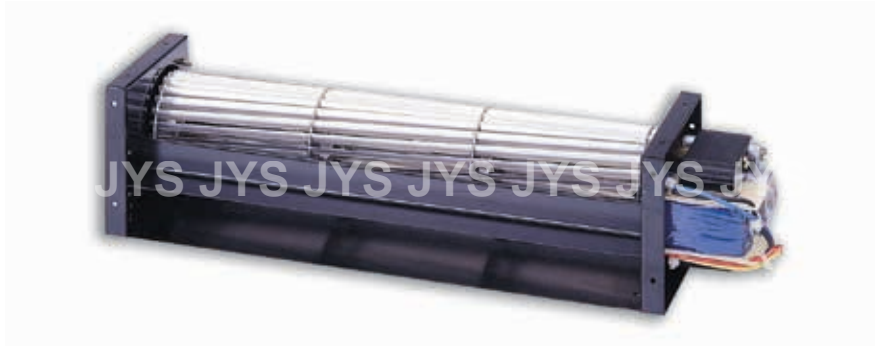


JF-05060A-3B





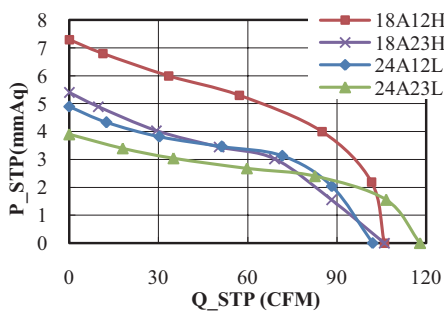
JE-060A SERIES AC FAN



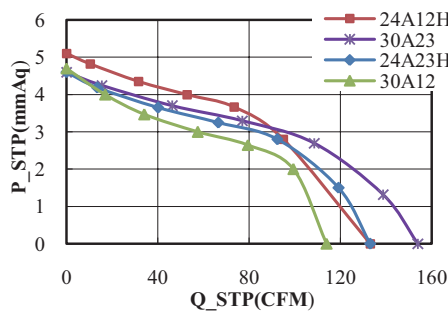
Motor : AC Shaded Pole type 1 ϕ 2p

Spec. Model	Size (mm)				Rated Voltage (V)	Rated Frequency (Hz)	Rated Current (A)	Input Power (W)	Speed (r.p.m.)	Max Pressure (mmAq)	Maximum Air Flow (m ³ /min)	CFM	Noise (dBA)	Safety Approval		Weight (g)
	A	B	C	D										UL	CE	
JE-06018A12L	184	199	257		120	60	0.33	23	1700	3.8	1.8	63	35		○	1200
JE-06018A23L					230	50	0.17	23	2100	3.7	2.5	88	39		○	
JE-06018A12H	184	199	262	280	120	60	0.55	37	2400	7.3	3.0	106	47	○	○	1350
JE-06018A23H					230	50	0.27	34	2400	5.4	3.0	106	47	○	○	
JE-06024A12L	245	260	323		120	60	0.42	31	1600	4.9	2.9	102	41		○	1400
JE-06024A23L					230	50	0.23	31	1900	3.9	3.3	118	42		○	
JE-06024A12H	245	260	323	341	120	60	0.60	42	2200	5.1	3.8	133	42	○	○	1500
JE-06024A23H					230	50	0.27	35	2200	4.6	3.8	133	44	○	○	
JE-06030A12	306	321	384	402	120	60	0.63	42	1700	4.7	3.2	114	42	○	○	1500
JE-06030A23					230	50	0.28	36	2100	4.6	4.4	154	44	○	○	
JE-06036A12	368	383	446	464	120	60	0.64	43	1500	3.0	3.8	133	41	○	○	1600
JE-06036A23					230	50	0.30	38	1900	4.2	4.7	167	43	○	○	
JE-06042A12	429	444	507	525	120	60	0.64	44	1400	2.2	3.9	139	41	○	○	1650
JE-06042A23					230	50	0.31	40	1700	3.3	5.1	180	43	○	○	

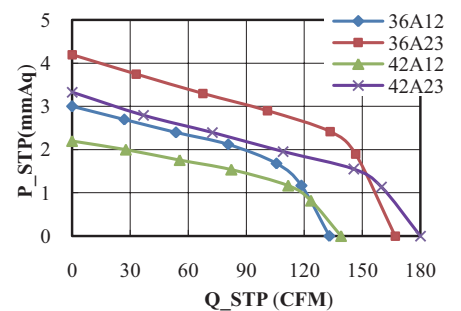
JE-06018A/24A



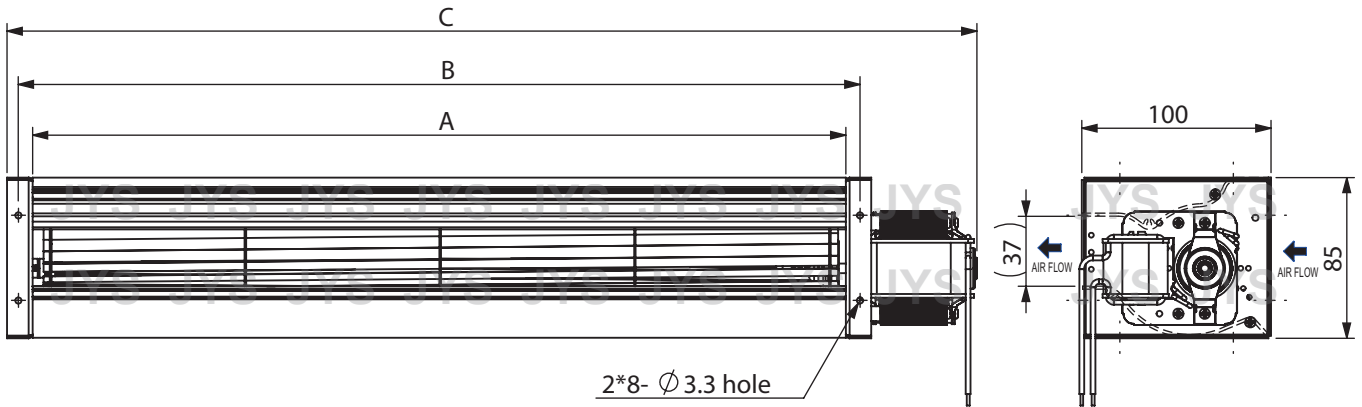
JE-06024A/30A



JE-06036A/42A



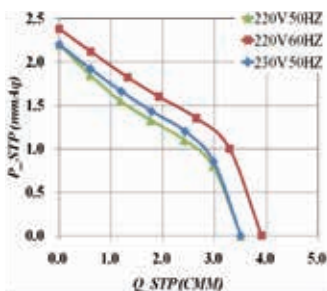
JM-060A SERIES AC FAN



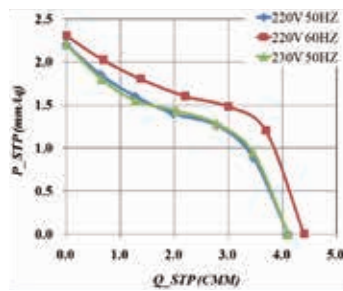
Motor : AC Shaded Pole type 1 φ 2p

Model	Spec.	Size(mm)			Rated Voltage (V)	Rated Frequency (Hz)	Rated Current (A)	Input Power (W)	Speed (r.p.m.)	Max Pressure (mmAq)	Maximum Air Flow (m ³ /min)	Noise (dBA)	Weight (kg)
		A	B	C									
JM-06030A23-3B		310	325	393	220	50/60	0.39/0.34	41/40	2750/3100	2.2/2.4	3.5/3.9	45/47	1.7
					230	50	0.42	45	2750	2.2	3.5	45	
JM-06036A23-3B		370	385	453	220	50/60	0.39/0.35	41/40	2700/3000	2.2/2.3	4.1/4.4	44/46	1.8
					230	50	0.42	45	2700	2.2	4.1	44	
JM-06042A23-3B		430	445	513	220	50/60	0.39/0.36	44/41	2650/2900	2.3/2.5	4.8/5.2	45/46	1.9
					230	50	0.42	47	2700	2.3	4.8	45	
JM-06052A23-3B		530	545	613	220	50/60	0.41/0.39	46/47	2600/2650	2.4/2.5	5.8/5.9	44/45	2.0
					230	50	0.44	50	2650	2.5	5.9	45	

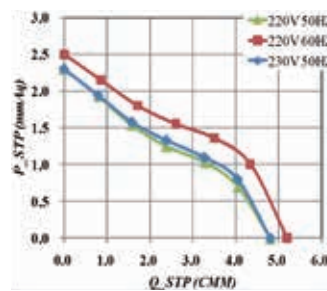
JM-06030A



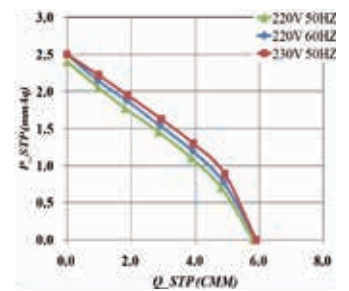
JM-06036A



JM-06042A

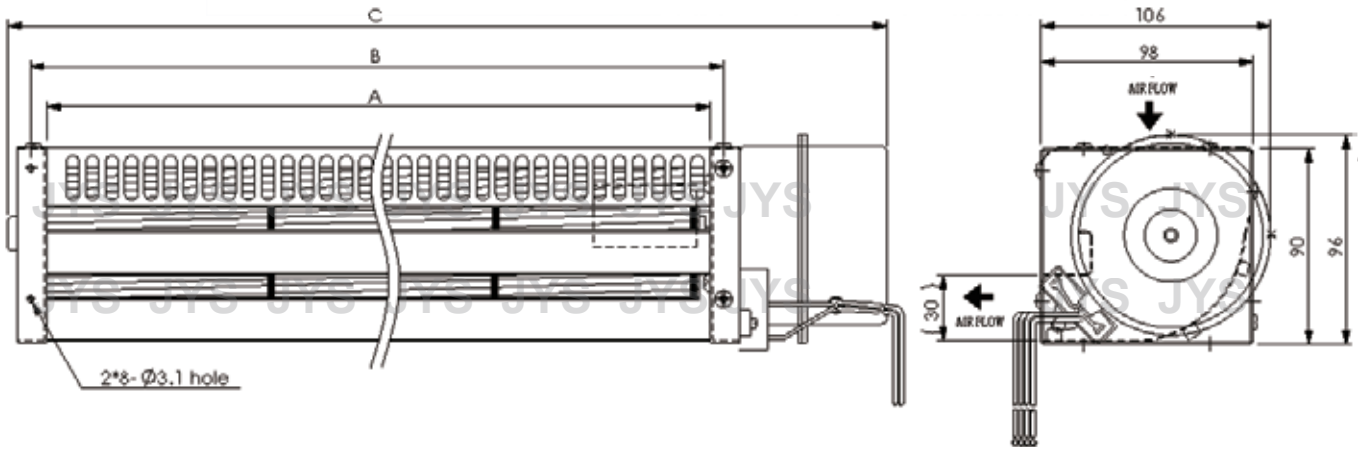


JM-06052A





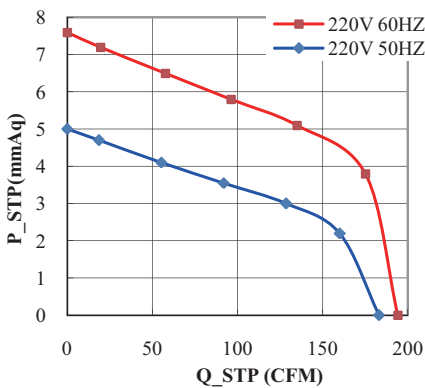
JEC-060A SERIES AC FAN



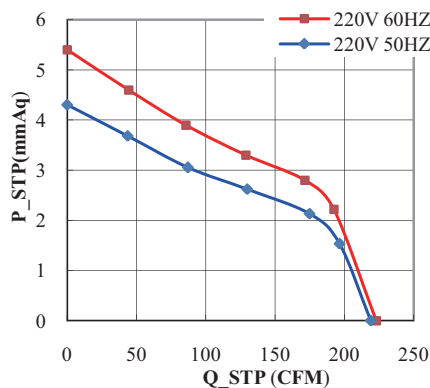
Motor : AC Capacity type 1 ϕ 2p $\text{C}\epsilon$

Model	Spec.	Size (mm)			Rated Voltage (V)	Rated Frequency (Hz)	Rated Current (A)	Input Power (W)	Speed (r.p.m.)	Max Pressure (mmAq)	Maximum Air Flow (m ³ /min)	CFM	Noise (dBA)	Weight (kg)
		A	B	C										
JEC-06030A1223		306	321	405	110	60	0.32	35	2800	7.6	5.5	194	54	1.80
					120	60	0.32	39	2900	7.8	5.8	205	55	
					220	50/60	0.14/0.17	30/38	2600/2800	5.0/7.6	5.2/5.5	183/194	50/54	
					230	50	0.14	31	2600	5.0	5.2	183	50	
JEC-06036A1223		368	383	467	110	60	0.34	38	2500	5.4	6.3	223	53	1.85
					120	60	0.35	42	2600	6.7	6.8	240	54	
					220	50/60	0.15/0.18	32/40	2500/2500	4.3/5.4	6.3/6.3	219/223	53/53	
					230	50	0.15	34	2500	5.3	6.3	223	53	
JEC-06042A1223		429	444	528	110	60	0.38	42	2400	4.8	6.8	240	52	1.95
					120	60	0.39	47	2600	5.9	7.5	267	54	
					220	50/60	0.16/0.19	35/43	2400/2400	4.1/5.0	6.6/6.6	234/234	52/52	
					230	50	0.16	36	2500	4.4	7.1	252	53	

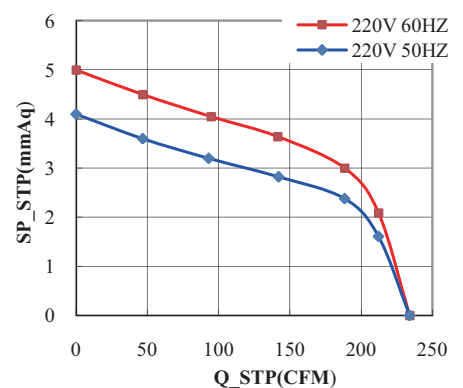
JEC-06030A1223



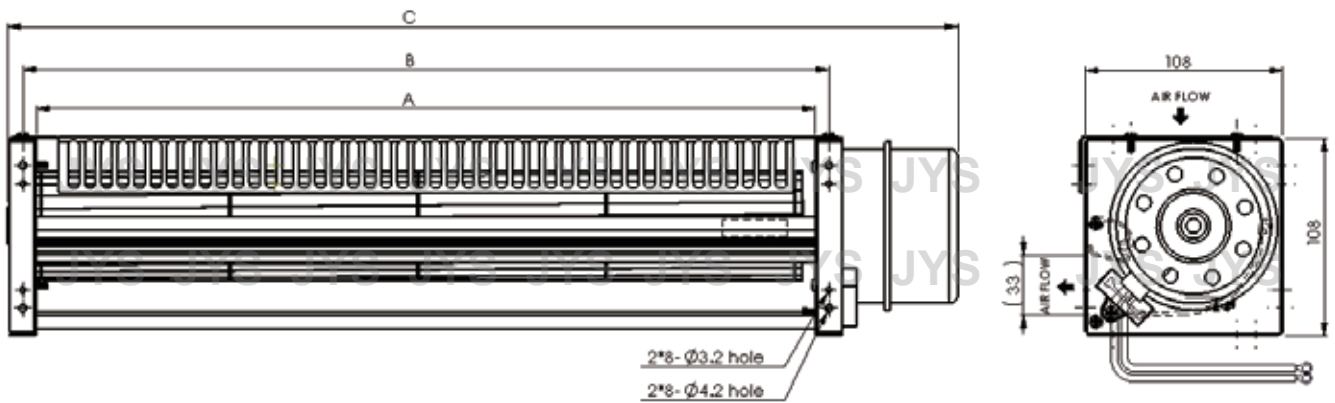
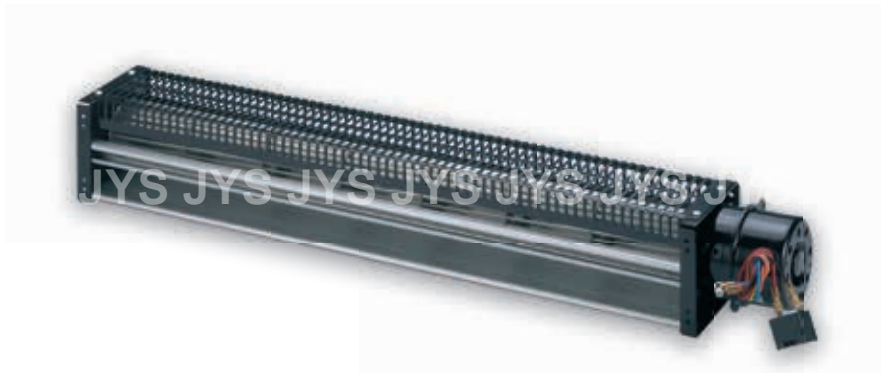
JEC-06036A1223



JEC-06042A1223

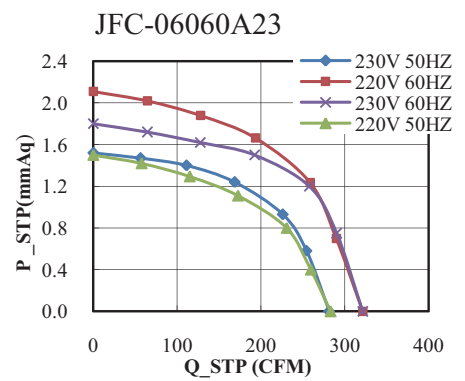
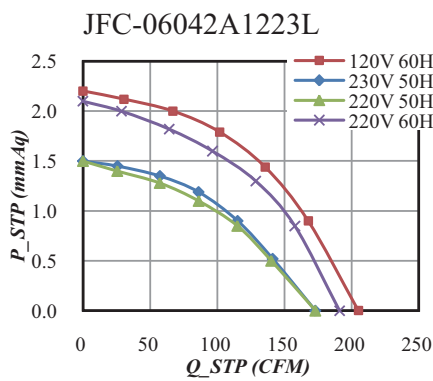
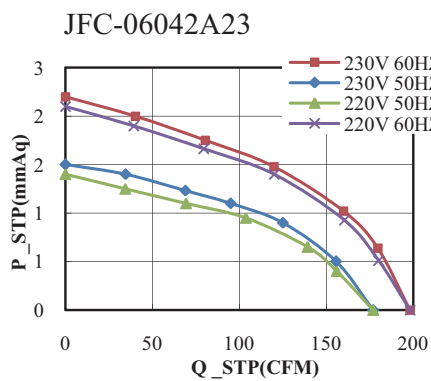


JFC-060A SERIES AC FAN



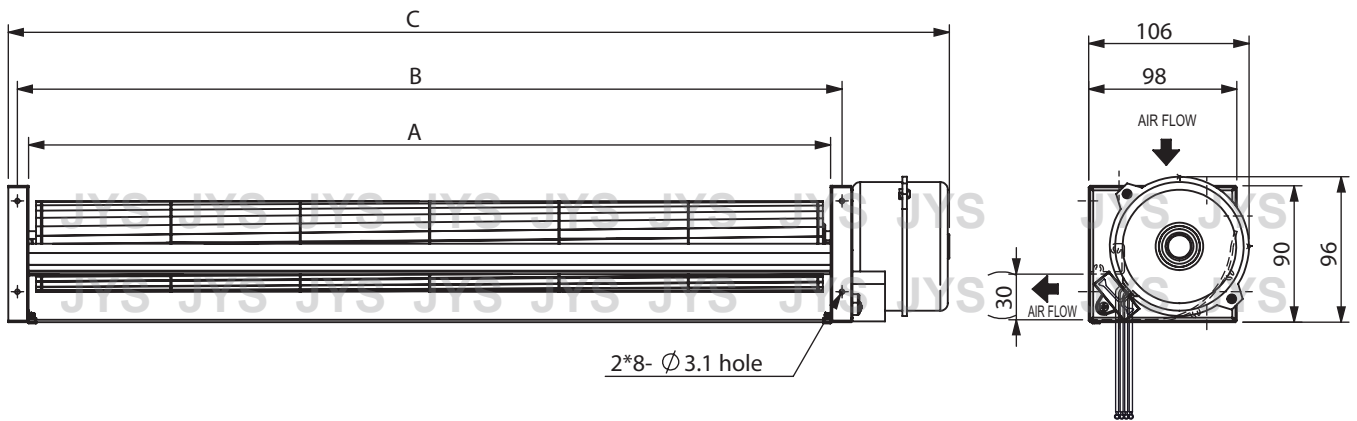
Motor : AC Capacity type 1φ 4p

Model	Spec	Size(mm)			Rated Voltage (V)	Rated Frequency (Hz)	Rated Current (A)	Input Power (W)	Speed (r.p.m)	Max Pressure (mmAq)	Maximum Air Flow (m ³ /min)	CFM	Noise (dBA)	Safety Approval			Weight (kg)
		A	B	C										UL	TUV	CE	
JFC-06042A23		426	441	520	220	50/60	0.10/0.16	24/35	1400/1700	1.4/2.1	5/5.6	177/198	40/42			O	2.80
					230	50/60	0.11/0.16	26/38	1400/1700	1.5/2.2	5/5.6	177/198	40/42			O	
JFC-06042A1223L		426	441	511	120	60	0.26	28	1600	2.2	5.8	205	47				2.35
					220	50/60	0.13/0.14	23/26	1350/1550	1.5/2.1	4.9/5.4	173/191	42/45				
					230	50	0.14	24	1400	1.5	4.9	173	42				
JFC-06060A23		606	621	700	220	50/60	0.11/0.17	24/37	1400/1650	1.5/2.1	8/9	283/318	40/41			O	3.20
					230	50/60	0.11/0.17	26/40	1400/1650	1.5/1.8	8/9	283/318	40/41			O	





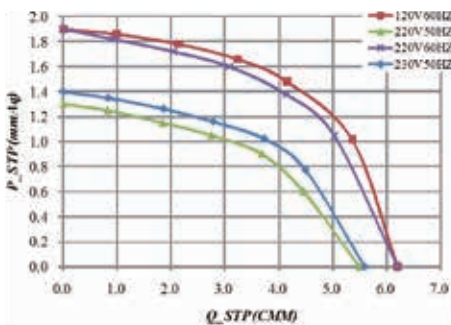
JGC-060A SERIES AC FAN



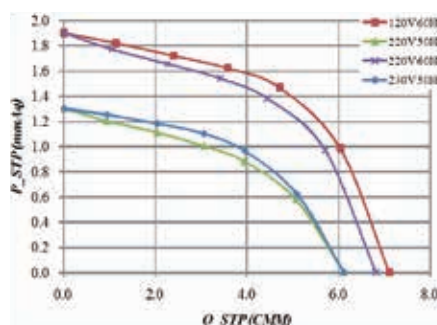
Motor : AC Capacity type 1 ϕ 4p

Model	Spec.	Size(mm)			Rated Voltage (V)	Rated Frequency (Hz)	Rated Current (A)	Input Power (W)	Speed (r.p.m.)	Max Pressure (mmAq)	Maximum Air Flow (m ³ /min)	Noise (dBA)	Weight (kg)
		A	B	C									
JGC-06052A1223-3B		530	545	622	120	60	0.28	31	1600	1.9	6.2	42	2.1
					220	50/60	0.15/0.16	26/29	1350/1600	1.3/1.9	5.5/6.2	37/42	
					230	50	0.15	28	1400	1.4	5.6	38	
JGC-06060A1223-3B		610	625	702	120	60	0.29	31	1600	1.9	7.1	42	2.2
					220	50/60	0.15/0.16	26/29	1350/1550	1.3/1.9	6.1/6.8	37/41	
					230	50	0.15	28	1350	1.3	6.1	37	
JGC-06070A1223-3B		710	725	802	120	60	0.27	29	1600	1.9	8.2	42	2.3
					220	50/60	0.13/0.15	23/27	1350/1500	1.3/1.8	7.0/7.7	38/41	
					230	50	0.14	25	1350	1.3	7.1	38	

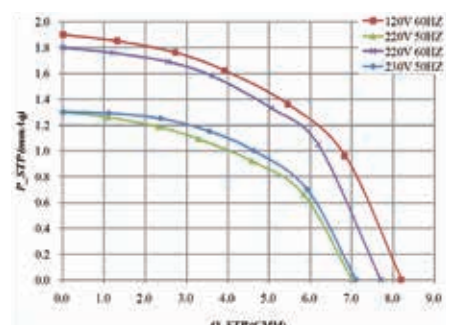
JGC-06052A1223-3B



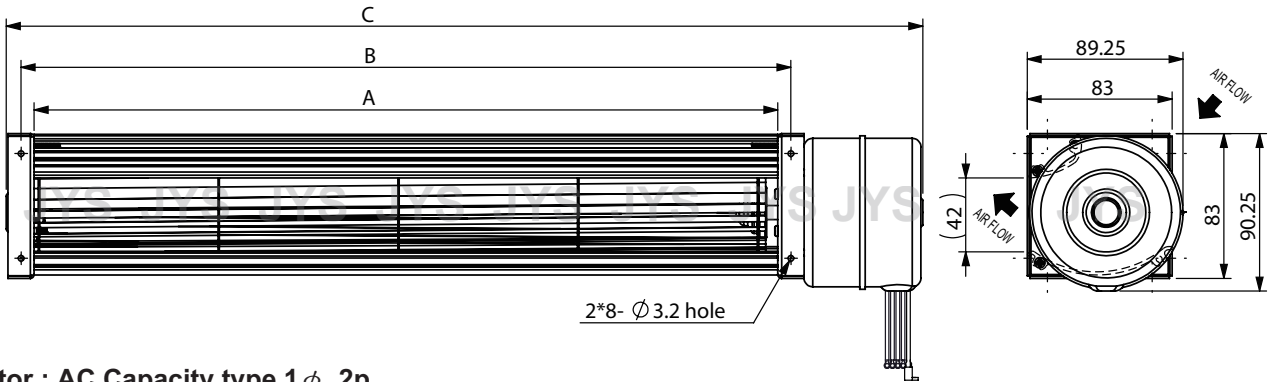
JGC-06060A1223-3B



JGC-06070A1223-3B

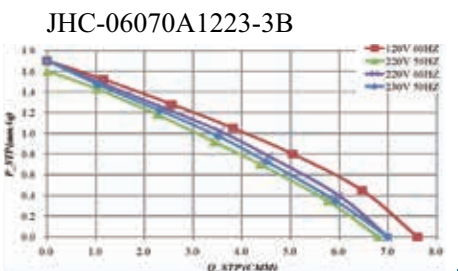
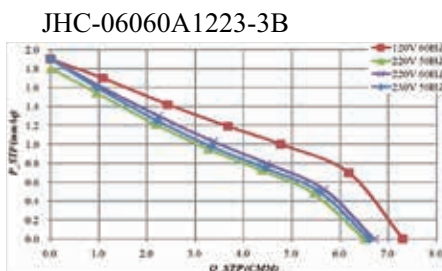
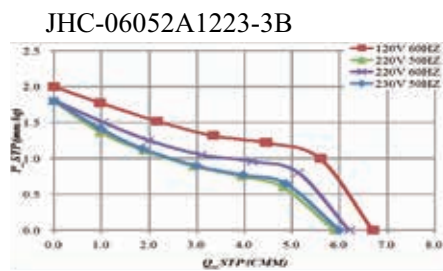
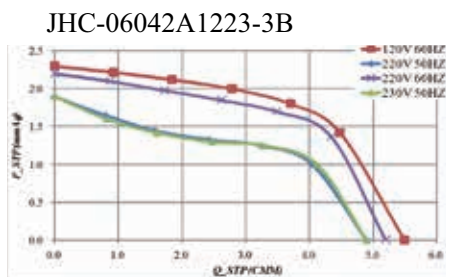
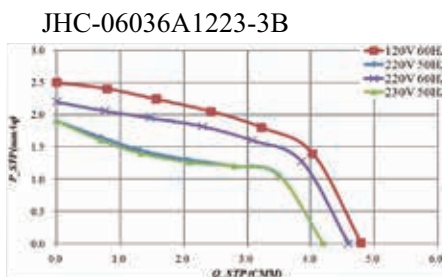
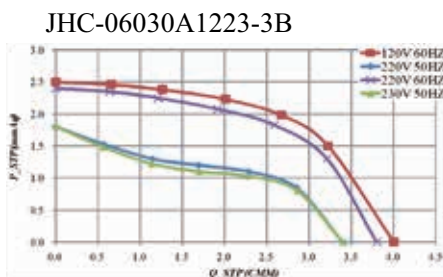


JHC-060A SERIES AC FAN



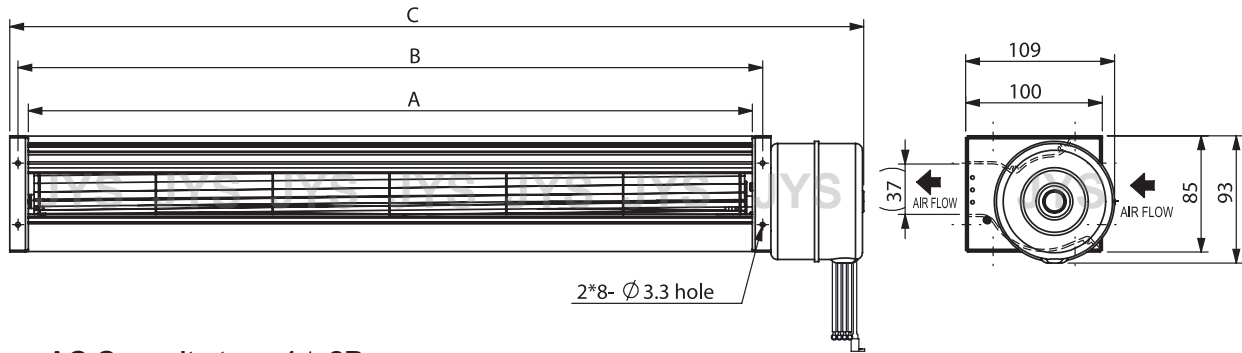
Motor : AC Capacity type 1 ϕ 2p

Spec. Model	Size(mm)			Rated Voltage (V)	Rated Frequency (Hz)	Rated Current (A)	Input Power (W)	Speed (r.p.m.)	Max Pressure (mmAq)	Maximum Air Flow (m3/min)	Noise (dBA)	Weight (kg)
	A	B	C									
JHC-06030A1223-3B	306	321	405	120	60	0.31	34	3100	2.5	4.0	52	1.80
				220	50/60	0.17/0.18	29/34	2650/3000	1.8/2.4	3.4/3.8	48/51	
				230	50	0.17	32	2650	1.8	3.4	48	
JHC-06036A1223-3B	366	381	465	120	60	0.33	36	3000	2.5	4.8	51	1.85
				220	50/60	0.17/0.19	31/37	2550/2850	1.9/2.2	4.2/4.6	47/50	
				230	50	0.18	33	2600	1.9	4.2	48	
JHC-06042A1223-3B	426	441	525	120	60	0.35	39	2850	2.3	5.5	51	1.90
				220	50/60	0.18/0.20	33/39	2500/2700	1.9/2.2	4.9/5.2	47/49	
				230	50	0.18	35	2500	1.9	4.9	47	
JHC-06052A1223-3B	526	541	625	120	60	0.37	42	2700	2.0	6.7	50	2.05
				220	50/60	0.19/0.21	35/42	2400/2550	1.8/1.8	5.9/6.2	46/47	
				230	50	0.19	37	2450	1.8	6.0	47	
JHC-06060A1223-3B	606	621	705	120	60	0.38	43	2600	1.9	7.3	49	2.15
				220	50/60	0.19/0.22	36/42	2300/2400	1.8/1.9	6.5/6.7	46/47	
				230	50	0.19	38	2350	1.9	6.6	47	
JHC-06070A1223-3B	706	721	805	120	60	0.39	44	2400	1.7	7.6	47	2.25
				220	50/60	0.20/0.22	38/43	2150/2200	1.6/1.7	6.8/7.0	44/44	
				230	50	0.20	40	2200	1.7	7.0	45	





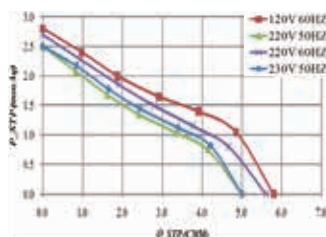
JMC-060A SERIES AC FAN



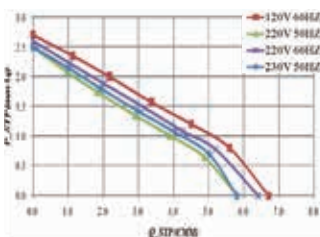
Motor : AC Capacity type 1φ 2P

Model	Spec.	Size(mm)			Rated Voltage (V)	Rated Frequency (HZ)	Rated Current (A)	Input Power (W)	Speed (r.p.m.)	Max Pressure (mmAq)	Maximum Air Flow (m ³ /min)	Noise (dBA)	Weight (kg)
		A	B	C									
JMC-06042A1223-3B		430	445	525	120	60	0.30	34	3100	2.8	5.8	48	2.0
					220	50/60	0.16/0.17	29/34	2650/3000	2.5/2.7	5.0/5.6	44/47	
					230	50	0.17	31	2650	2.5	5.0	44	
JMC-06052A1223-3B		530	545	625	120	60	0.32	36	3000	2.7	6.7	48	2.1
					220	50/60	0.17/0.18	31/36	2600/2900	2.5/2.6	5.8/6.4	45/47	
					230	50	0.18	33	2600	2.5	5.8	45	
JMC-06060A1223-3B		610	625	705	120	60	0.34	38	2900	2.6	7.4	48	2.2
					220	50/60	0.17/0.19	32/37	2500/2750	2.4/2.5	6.4/7.0	45/47	
					230	50	0.18	34	2550	2.4	6.5	45	
JMC-06070A1223-3B		710	725	805	120	60	0.36	40	2800	2.6	8.4	49	2.3
					220	50/60	0.18/0.20	34/39	2400/2550	2.3/2.5	7.3/7.7	46/47	
					230	50	0.19	36	2450	2.4	7.4	46	

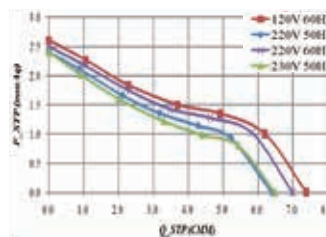
JMC-06042A1223-3B



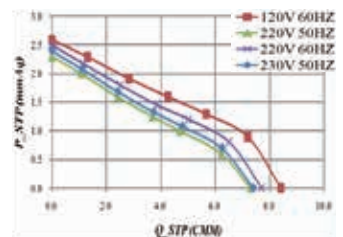
JMC-06052A1223-3B



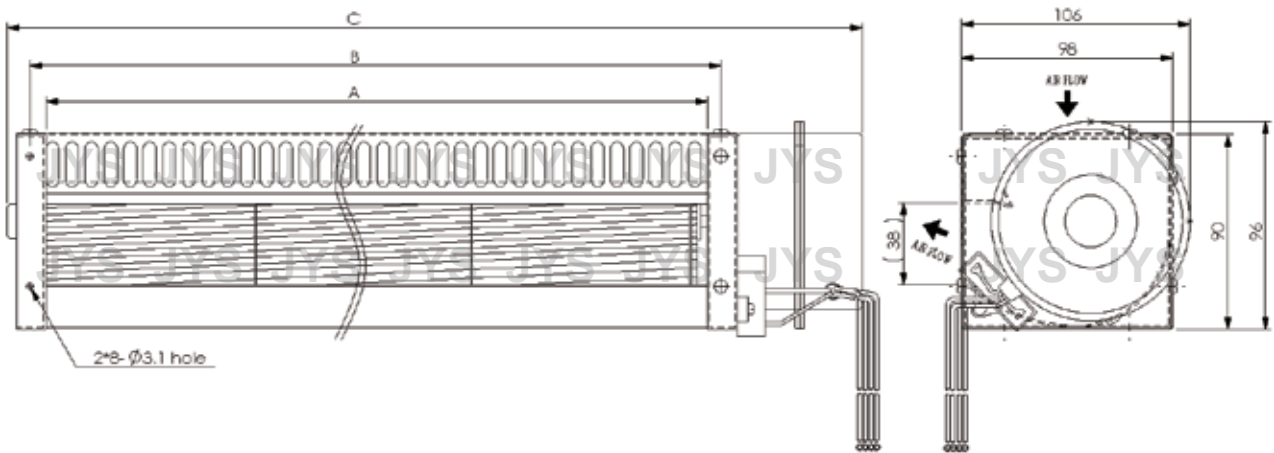
JMC-06060A1223-3B



JMC-06070A1223-3B



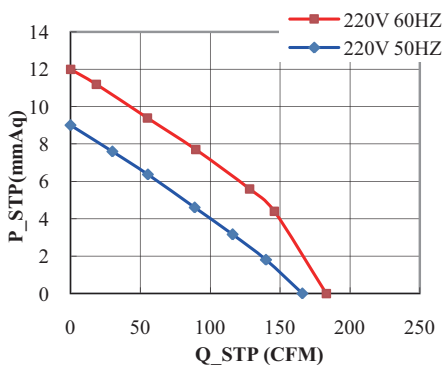
JVC-060A SERIES AC FAN



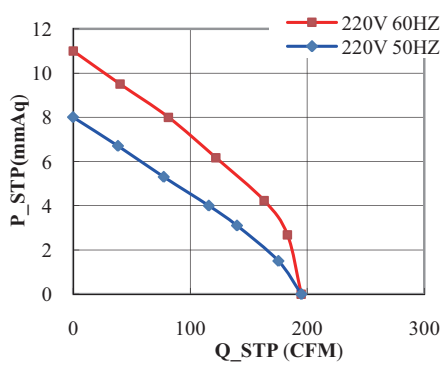
Motor : AC Capacity type 1 ϕ 2P CE

Model	Spec.			Size(mm)			Rated Voltage (V)	Rated Frequency (HZ)	Rated Current (A)	Input Power (W)	Speed (r.p.m.)	Max Pressure (mmAq)	Maximun Air Flow (m ³ /min)	CFM	Noise (dBA)	Weight (kg)
	A	B	C													
JVC-06030A1223	306	321	405	110	60	0.34	38	2600	12	5.2	183	53	1.75			
				120	60	0.34	41	2700	12	5.8	205	55				
				220	50/60	0.15/0.18	32/40	2400/2600	9/12	4.7/5.2	166/183	50/53				
				230	50	0.15	33	2500	8.5	5.1	181	52				
JVC-06036A1223	368	383	467	110	60	0.37	41	2500	11	5.9	209	54	1.85			
				120	60	0.38	46	2600	11	6.6	235	56				
				220	50/60	0.15/0.19	35/43	2400/2400	8/11	5.5/5.5	195/195	53/54				
				230	50	0.16	36	2400	10	6.0	212	53				
JVC-06042A1223	429	444	528	110	60	0.38	41	2400	12	7.0	247	54	1.95			
				120	60	0.39	46	2600	11.5	7.5	265	55				
				220	50/60	0.16/0.20	35/43	2300/2300	9/11	6.7/6.7	237/237	53/53				
				230	50	0.16	37	2500	9	7.0	247	54				

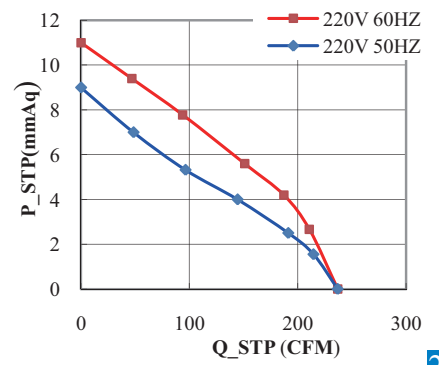
JVC-06030A1223



JVC-06036A1223

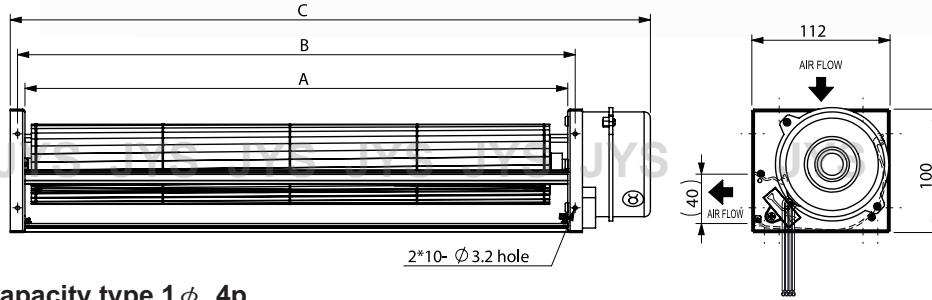


JVC-06042A1223





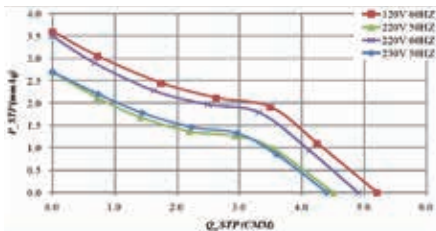
JGC-065A SERIES AC FAN



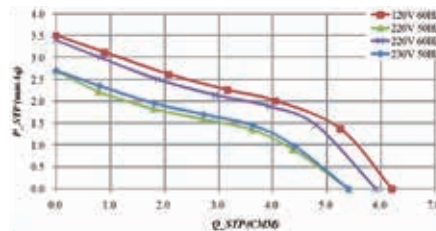
Motor : AC Capacity type 1 ϕ 4p

Model	Spec.			Size(mm)			Rated Voltage (V)	Rated Frequency (Hz)	Rated Current (A)	Input Power (W)	Speed (r.p.m.)	Max Pressure (mmAq)	Maximun Air Flow (m ³ /min)	Noise (dBA)	Weight (kg)
	A	B	C												
JGC-06530A1223-3B	320	332	399	120	60	0.26	27	1650	3.6	5.2	46	1.8			
				220	50/60	0.13/0.14	22/25	1400/1600	2.7/3.5	4.5/4.9	42/45				
				230	50	0.14	24	1400	2.7	4.4	42				
JGC-06536A1223-3B	380	392	459	120	60	0.27	29	1600	3.5	6.3	45	1.9			
				220	50/60	0.13/0.15	23/27	1350/1500	2.7/3.4	5.4/5.9	44/45				
				230	50	0.14	25	1350	2.7	5.4	44				
JGC-06542A1223-3B	440	452	519	120	60	0.27	30	1550	3.3	6.8	47	2.0			
				220	50/60	0.14/0.15	24/27	1350/1500	2.7/3.4	5.9/6.3	43/46				
				230	50	0.14	25	1350	2.7	5.9	43				
JGC-06550A1223-3B	520	532	599	120	60	0.28	30	1500	3.6	8.2	47	2.1			
				220	50/60	0.14/0.15	24/28	1300/1400	2.7/3.5	6.8/7.1	43/46				
				230	50	0.14	26	1300	2.7	6.8	43				
JGC-06560A1223-3B	620	632	699	120	60	0.35	38	1500	3.4	9.2	48	2.3			
				220	50/60	0.17/0.19	30/35	1300/1350	2.7/3.3	8.2/8.6	44/45				
				230	50	0.18	33	1300	2.7	8.2	44				
JGC-06570A1223-3B	720	732	799	120	60	0.36	38	1450	3.3	10.0	47	2.4			
				220	50/60	0.17/0.19	31/35	1250/1300	2.4/3.2	9.1/9.3	43/44				
				230	50	0.18	34	1300	2.5	9.3	43				

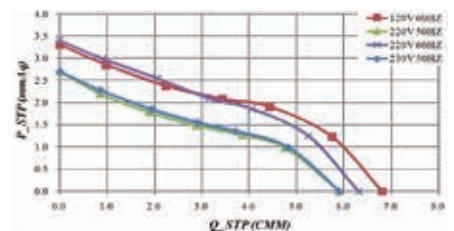
JGC-06530A1223-3B



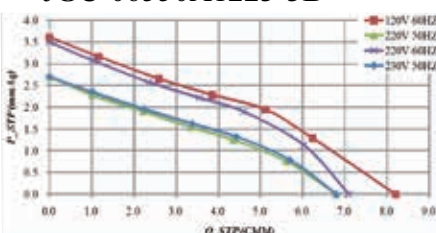
JGC-06536A1223-3B



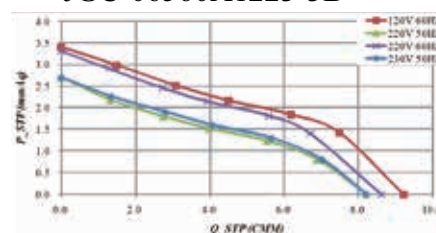
JGC-06542A1223-3B



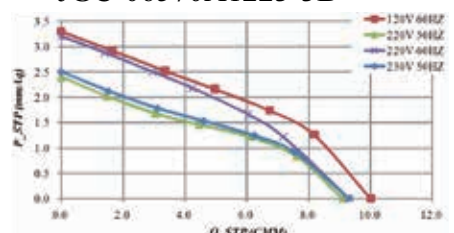
JGC-06550A1223-3B



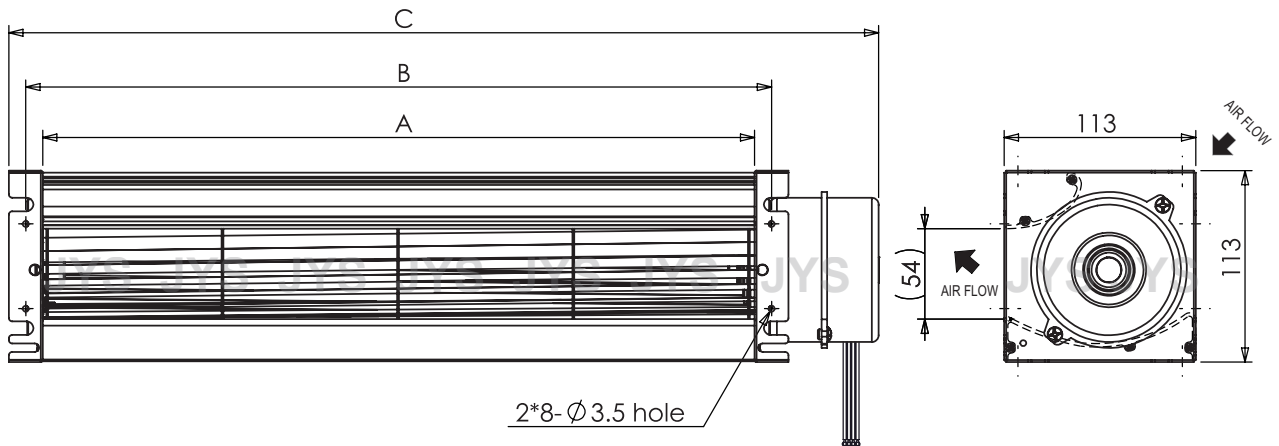
JGC-06560A1223-3B



JGC-06570A1223-3B



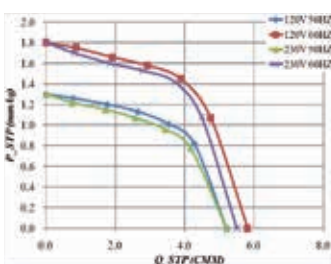
JHC-081A SERIES AC FAN



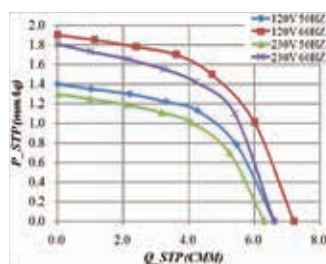
Motor : AC Capacity type 1 ϕ 4p

Spec. Model	Size(mm)			Rated Voltage (V)	Rated Frequency (Hz)	Rated Current (A)	Input Power (W)	Speed (r.p.m.)	Max Pressure (mmAq)	Maximum Air Flow (m3/min)	Noise (dBA)	Weight (kg)
	A	B	C									
JHC-08142A1223-3B	420	440	513	120	50/60	0.25/0.29	26/31	1300/1450	1.3/1.8	5.2/5.8	44/47	2.3
				230	50/60	0.14/0.16	27/31	1300/1350	1.3/1.8	5.2/5.5	44/46	
JHC-08150A1223-3B	500	520	593	120	50/60	0.25/0.29	27/32	1300/1400	1.4/1.9	6.6/7.1	44/46	2.4
				230	50/60	0.15/0.16	27/32	1250/1300	1.3/1.8	6.3/6.6	43/44	
JHC-08160A1223-3B	600	620	693	120	50/60	0.33/0.37	35/41	1250/1300	1.4/1.8	7.4/7.9	45/46	3.0
				230	50/60	0.18/0.20	35/40	1200/1200	1.3/1.8	7.3/7.3	44/44	
JHC-08170A1223-3B	700	720	793	120	50/60	0.34/0.38	36/42	1250/1250	1.2/1.6	8.5/8.5	45/45	3.2
				230	50/60	0.19/0.21	36/40	1150/1100	1.2/1.5	7.9/7.7	43/42	

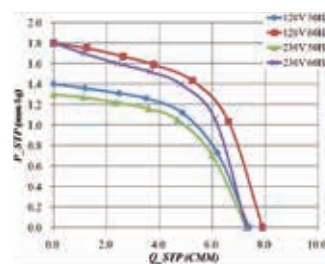
JHC-08142A1223-3B



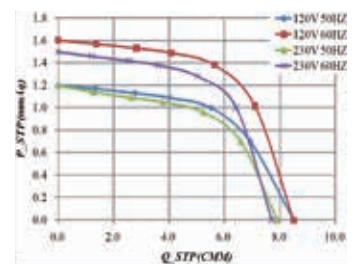
JHC-08150A1223-3B



JHC-08160A1223-3B

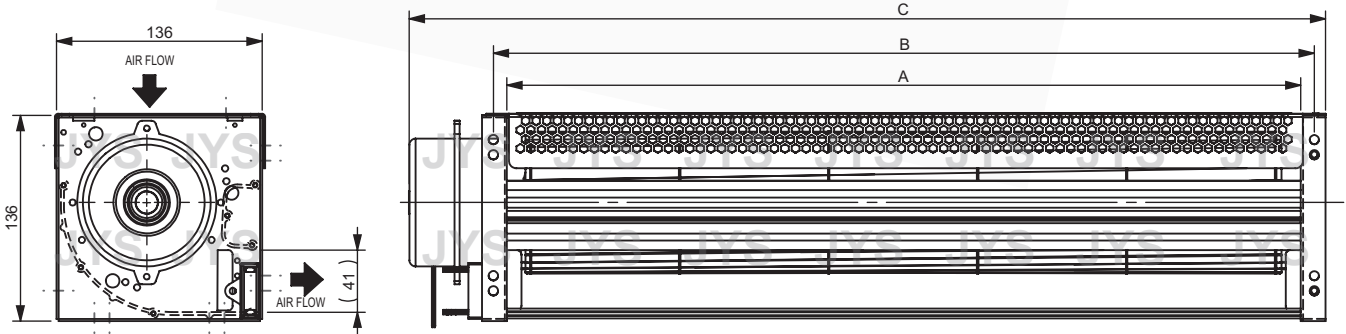


JHC-08170A1223-3B





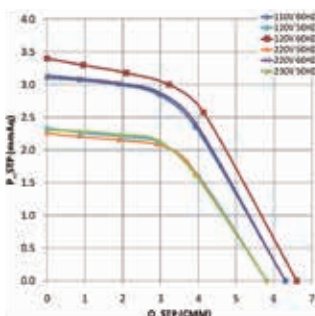
JFC-090B SERIES AC FAN



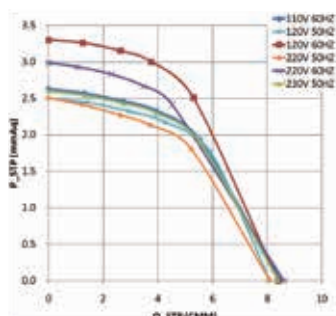
Motor : AC Capacity type 1 ϕ 4P

Model	Spec.	Size(mm)			Rated Voltage (V)	Rated Frequency (HZ)	Rated Current (A)	Input Power (W)	Speed (r.p.m.)	Max Pressure (mmAq)	Maximun Air Flow (m ³ /min)	Noise (dBA)	Safety Approval			Weight (kg)
		A	B	C									UL	TUV	CE	
JFC-09031B1223-3B		360	375	415	110	60	0.30	32	1500	3.1	6.3	49				2.5
					120	50/60	0.29/0.32	32/37	1350/1550	2.3/3.4	5.8/6.6	47/53				
					220	50/60	0.15/0.16	29/33	1350/1500	2.3/3.1	5.8/6.3	47/49				
					230	50	0.15	32	1350	2.3	5.8	47				
JFC-09047B1223-3B		525	540	580	110	60	0.33	35	1250	2.6	8.4	47				2.9
					120	50/60	0.32/0.36	36/42	1200/1250	2.5/3.3	8.1/8.4	46/47				
					220	50/60	0.16/0.18	32/37	1200/1300	2.5/3.0	8.1/8.6	46/48				
					230	50	0.16	34	1250	2.6	8.4	47				
JFC-09063B1223-3B		680	695	756	110	60	0.68	71	1700	4.2	15.1	54			○	4.4
					120	60	0.70	78	1700	4.2	15.1	54			○	
					220	50/60	0.38/0.36	59/74	1400/1700	3.0/4.2	12.9/15.1	49/54			○	
					230	50	0.40	64	1400	3.0	12.9	49			○	
JFC-09088B1223-3B		930	945	1005	110	60	0.80	85	1600	3.4	17.9	56			○	4.7
					120	60	0.82	93	1600	3.4	17.9	56			○	
					220	50/60	0.41/0.42	69/88	1400/1700	2.8/4.0	16.6/19.4	52/57			○	
					230	50	0.43	73	1400	2.8	16.6	52			○	

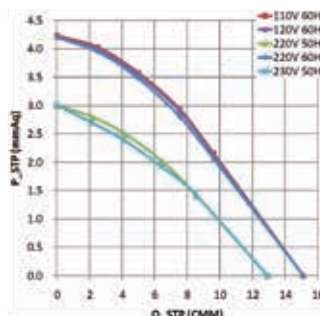
JFC-09031B1223-3B



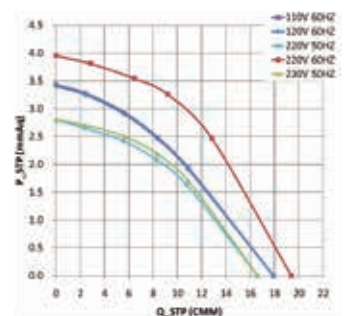
JFC-09047B1223-3B



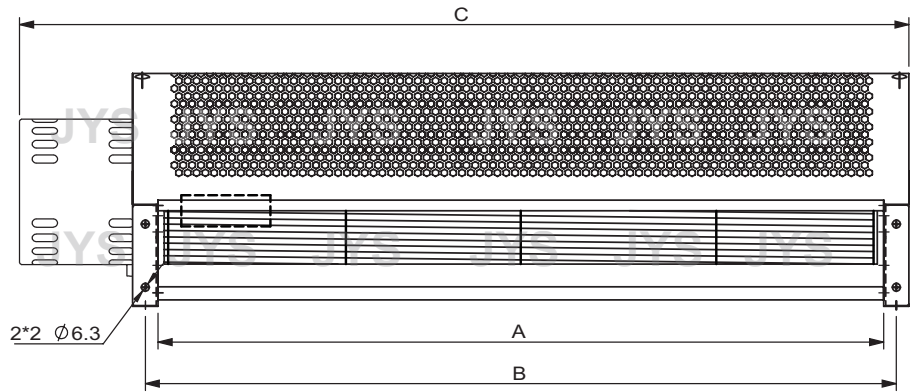
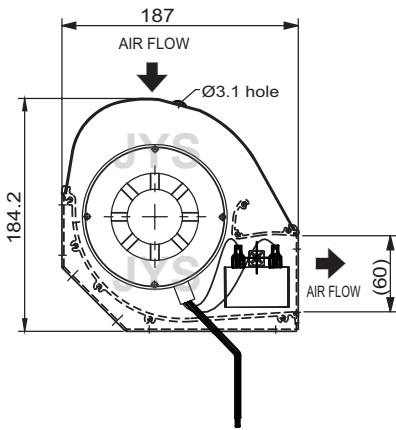
JFC-09063B1223-3B



JFC-09088B1223-3B

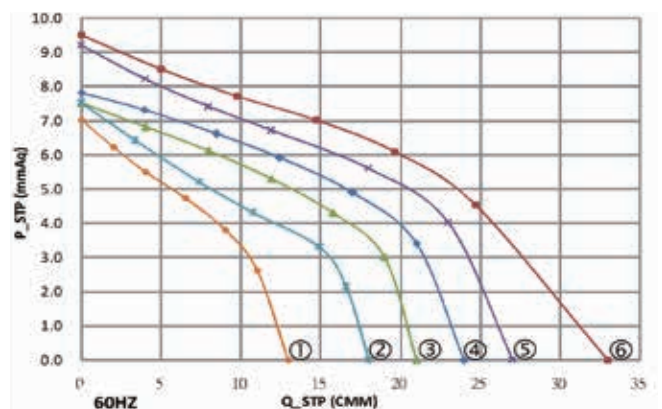
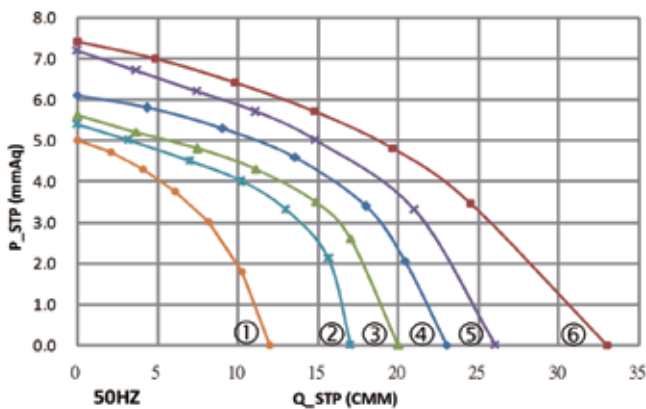


JFC-110B SERIES AC FAN



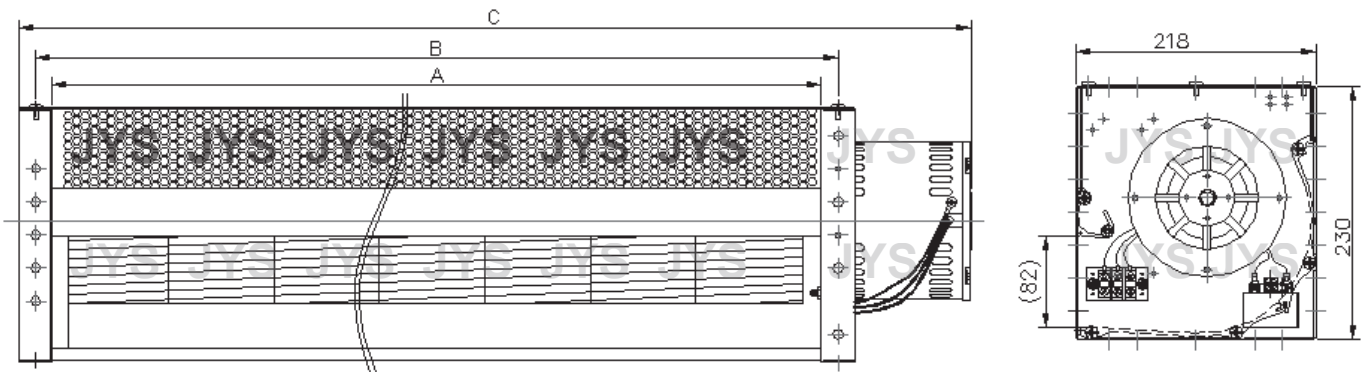
Motor: AC Capacity type 1 ϕ 4p

Spec. Model	Size (mm)			Rated Voltage (v)	Rated Frequency (Hz)	Rated Current (A)	Input Power (W)	Speed (r.p.m.)	Max Pressure (mmAq)	Maximun Air Flow (m ³ /min)	Noise (dBA)	Weight (Kg)
	A	B	C									
JFC-11037B22 ①	385	405	498	220	50/60	0.27/0.30	60/70	1100/1200	5.0/7.0	12/13	52/54	5.0
JFC-11048B22 ②	495	515	608	220	50/60	0.40/0.50	90/105	1200/1300	5.4/7.5	17/18	56/58	5.5
JFC-11052B22 ③	535	555	648	220	50/60	0.40/0.50	90/110	1200/1300	5.6/7.5	20/21	56/58	6.0
JFC-11060B22 ④	625	645	755	220	50/60	0.45/0.57	105/130	1250/1300	6.1/7.8	23/24	57/58	6.4
JFC-11067B22 ⑤	685	705	815	220	50/60	0.50/0.60	102/126	1200/1300	7.2/9.2	26/27	56/58	6.7
JFC-11088B22 ⑥	897	917	1010	220	50/60	0.60/0.80	136/175	1200/1200	7.4/9.5	33/33	58/58	8.1



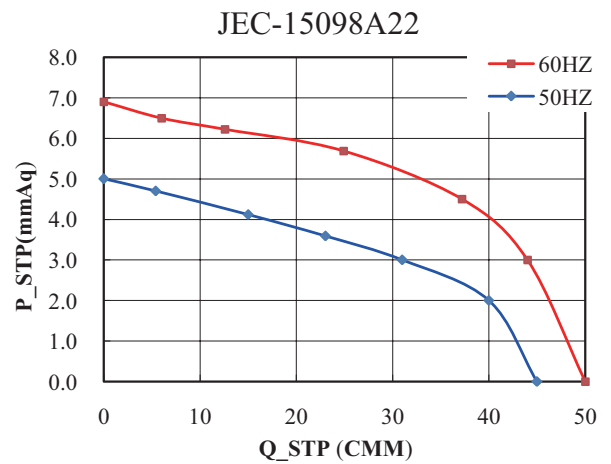
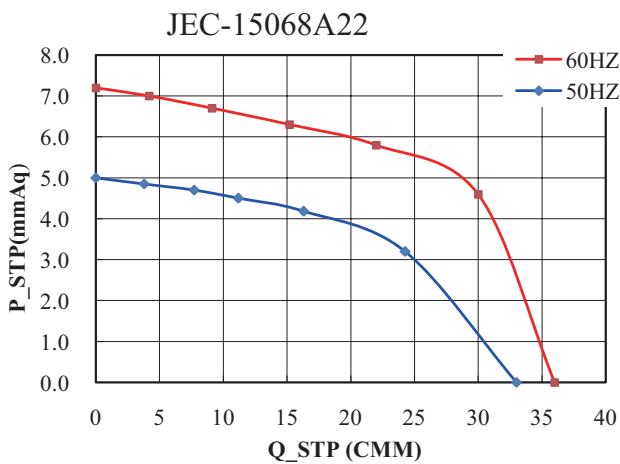


JEC-150A SERIES AC FAN

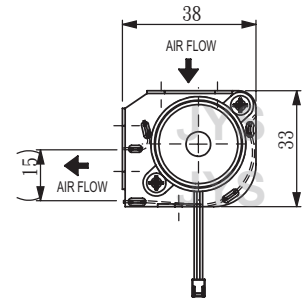
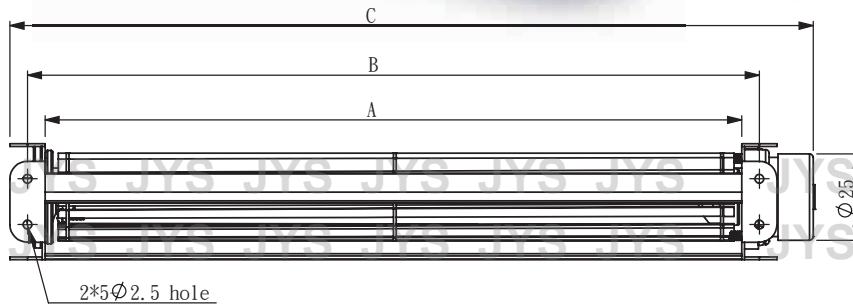
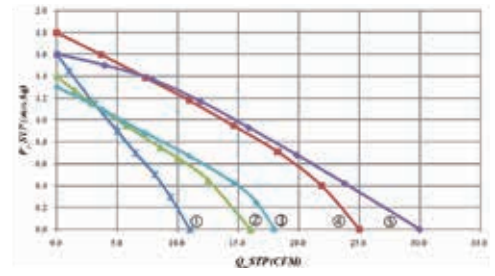


Motor : AC Capacity type 1 ϕ 6p

Spec. Model	Size (mm)			Rated Voltage (V)	Rated Frequency (Hz)	Rated Current (A)	Input Power (W)	Speed (r.p.m.)	Max Pressure (mmAq)	Maximum Air Flow (m ³ /min)	CFM	Noise (dBA)	Weight (kg)
	A	B	C										
JEC-15068A22	700	730	866	220	50/60	1.2/1.1	156/210	950/1150	5.0/7.2	33/36	1168/1274	59/63	13.6
JEC-15098A22	1000	1030	1166	220	50/60	1.3/1.3	190/265	900/1100	5.0/6.9	45/50	1593/1770	59/63	15.8



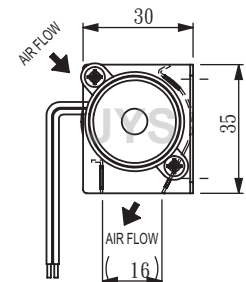
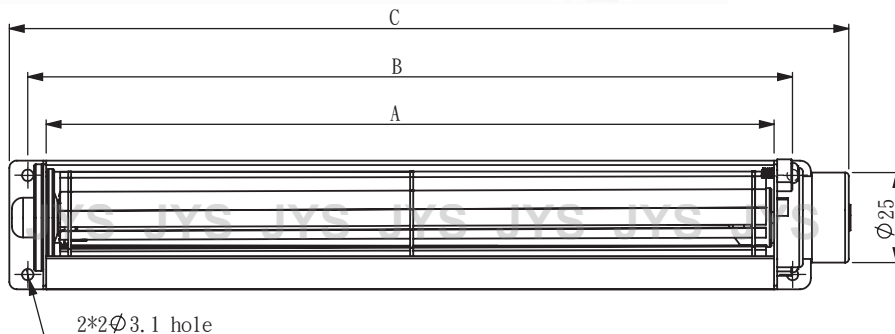
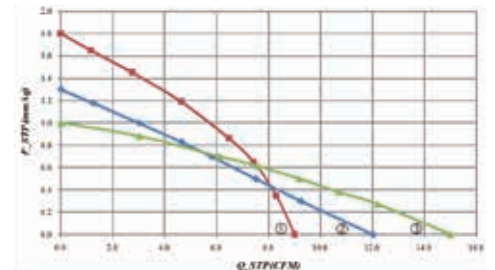
JED-025A SERIES DC FAN



Motor : DC Brushless type

Spec. Model	Size (mm)			Rated Voltage (V)	Rated Current (A)	Speed (r.p.m.)	Max Pressure (mmAq)	Maximum Air Flow (m ³ /min)	CFM	Noise (dBA)	Safety Approval			Weight (g)
	A	B	C								UL	TUV	CE	
JED-02509A12-3B ①	98	108	128	12	0.11	3100	1.6	0.31	11	32			○	95
JED-02515A12-3B ②	160	170	190	12	0.13	2700	1.4	0.45	16	29			○	120
JED-02519A12-3B ③	198	208	228	12	0.14	2500	1.3	0.51	18	28			○	140
JED-02524A12-3B ④	250	260	280	12	0.20	2600	1.8	0.70	25	32			○	160
JED-02529A12-3B ⑤	298	308	328	12	0.21	2500	1.6	0.85	30	33			○	180

JVD-025A SERIES DC FAN



Motor : DC Brushless type

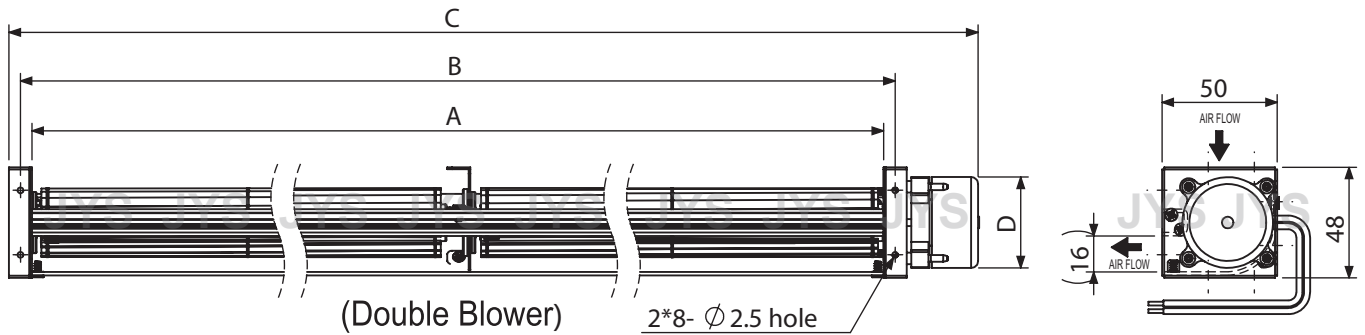
Spec. Model	Size (mm)			Rated Voltage (V)	Rated Current (A)	Speed (r.p.m.)	Max Pressure (mmAq)	Maximum Air Flow (m ³ /min)	CFM	Noise (dBA)	Safety Approval			Weight (g)
	A	B	C								UL	TUV	CE	
JVD-02509A12-3B ①	98	108	128	12	0.13	3800	1.8	0.25	9	30	○		○	80
JVD-02515A12-3B ②	160	170	190	12	0.13	3550	1.3	0.35	12	31	○		○	100
JVD-02519A12-3B ③	198	208	228	12	0.13	3300	1.0	0.43	15	35	○		○	110



JED-030/JF3-030A SERIES DC FAN



(Single Blower)



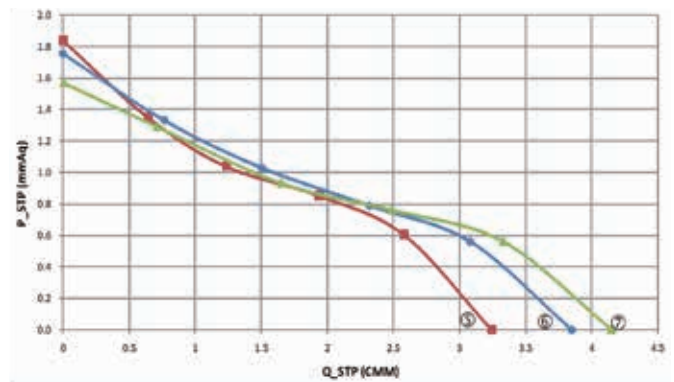
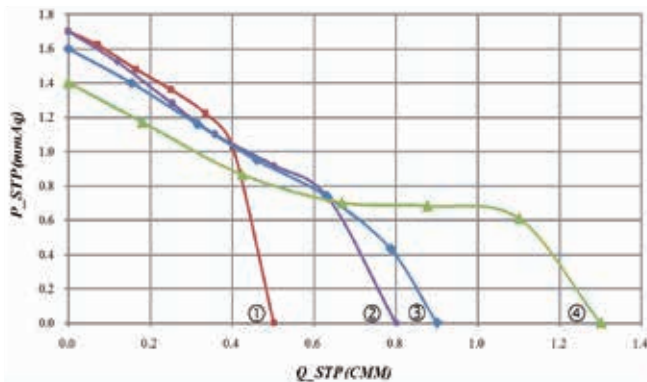
(Double Blower)

2*8-Ø2.5 hole

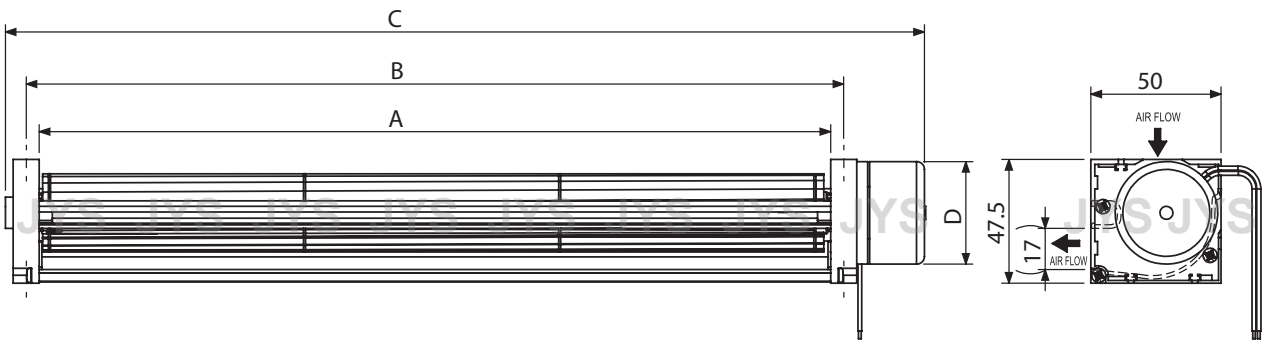
Motor : DC Brushless type

△ : CE Available ○ : Single Blower ◎ : Double Blower

Model	Spec.	Size(mm)				Rated Voltage (V)	Rated Current (A)	Speed (r.p.m.)	Max Pressure (mmAq)	Maximun Air Flow (m ³ /min)	Noise (dBA)	Weight (g)	Safety Approval			Blower
		A	B	C	D								UL	TUV	CE	
JED-03009A12-3B	①	98	108	133	31	12	0.16	3500	1.7	0.5	38	180	○		○	○
JED-03009A24-3B	①					24	0.15						○		○	○
JED-03015A12-3B	②	160	170	195	31	12	0.20	3100	1.7	0.8	37	210	○		○	○
JED-03015A24-3B	②					24	0.17						○		○	○
JED-03019A12-3B	③	198	208	233	31	12	0.23	2900	1.6	0.9	36	230	○		○	○
JED-03019A24-3B	③					24	0.18								○	○
JED-03029A12-3B	④	300	310	335	31	12	0.27	2600	1.4	1.3	35	290	○		○	○
JED-03029A24-3B	④					24	0.20								○	○
JF3-3030X2A24Q-4B	⑤	630	640	680	38	24	0.22	2850	1.8	3.2	36	580			△	◎
JF3-3035X2A24Q-4B	⑥	730	740	780	38		0.25	2750	1.7	3.9	35	630			△	◎
JF3-3040X2A24Q-4B	⑦	830	840	880	38		0.28	2650	1.6	4.2	34	690			△	◎



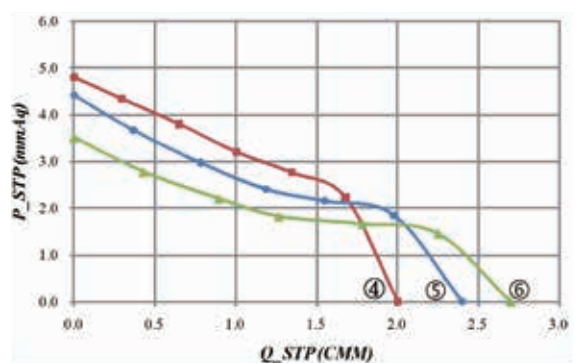
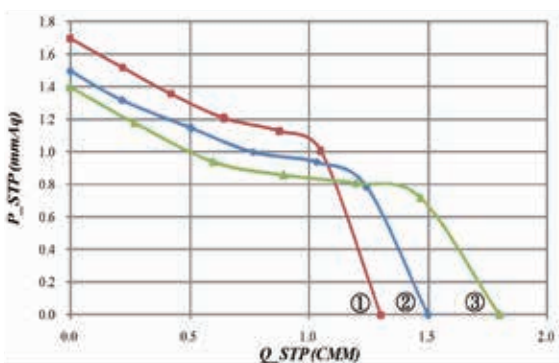
JL3-030A SERIES DC FAN



Motor : DC Brushless type (3Phase)

△ : CE Available

Model	Spec.	Size(mm)				Rated Voltage (V)	Rated Current (A)	Speed (r.p.m.)	Max Pressure (mmAq)	Maximun Air Flow (m ³ /min)	Noise (dBA)	Weight (g)	Safety Approval		
		A	B	C	D								UL	TUV	CE
JL3-03024A12L-3B ①	244	254	291	31	12	0.22	2800	1.7	1.3	37	210				
JL3-03024A24L-3B ①					24	0.13									
JL3-03030A12L-3B ②	304	314	351	31	12	0.25	2600	1.5	1.5	36	230				
JL3-03030A24L-3B ②					24	0.14									
JL3-03035A12L-3B ③	357	367	404	31	12	0.27	2500	1.4	1.8	35	260				
JL3-03035A24L-3B ③					24	0.15									
JL3-03024A12H-3B ④	244	254	293	38	12	0.61	4250	4.8	2.0	49	260			△	
JL3-03024A24H-3B ④					24	0.45									
JL3-03030A12H-3B ⑤	304	314	353	38	12	0.67	4100	4.4	2.4	48	290			△	
JL3-03030A24H-3B ⑤					24	0.45									
JL3-03035A12H-3B ⑥	357	367	406	38	12	0.72	3950	3.5	2.7	47	320			△	
JL3-03035A24H-3B ⑥					24	0.45									

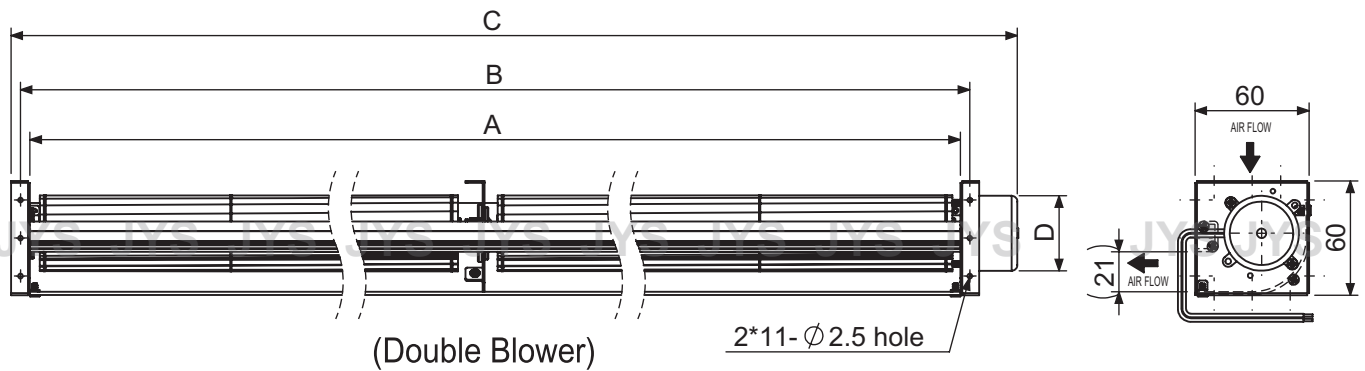




JED-040A/JE3-040A/JF3-040A SERIES DC FAN



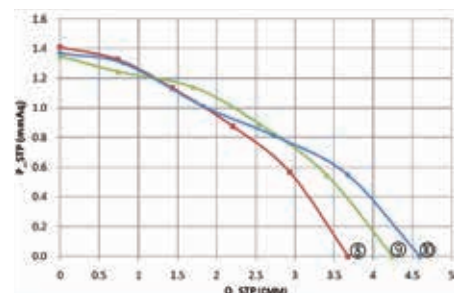
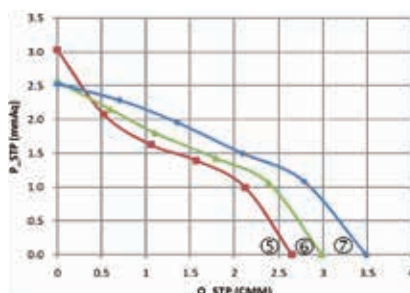
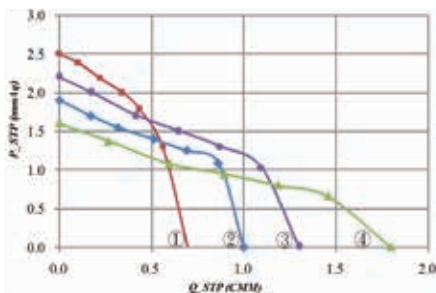
(Single Blower)



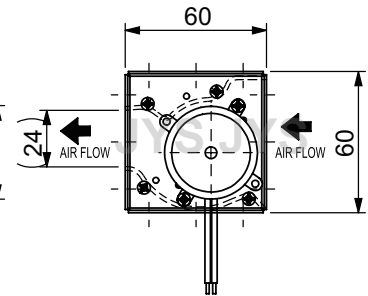
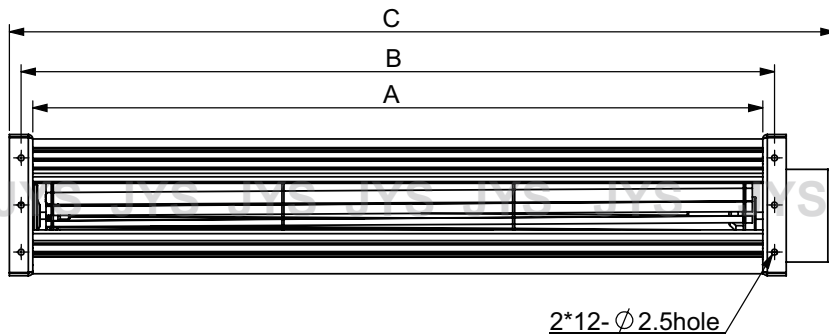
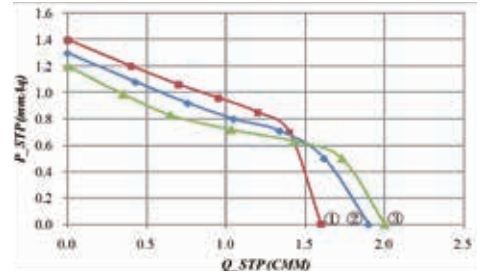
Motor : DC Brushless type

△ : CE Available ○ : Single Blower ⊙ : Double Blower

Model	Spec.	Size(mm)				Rated Voltage (V)	Rated Current (A)	Speed (r.p.m.)	Max Pressure (mmAq)	Maximum Air Flow (m ³ /min)	Noise (dBA)	Weight (g)	Safety Approval			Blower
		A	B	C	D								UL	TUV	CE	
JED-04009A12-3B ①		98	108	133	31	12	0.22	2950	2.5	0.7	37	220			○	○
JED-04009A24-3B ①	24					0.17								○	○	
JED-04015A12-3B ②		160	170	195	31	12	0.28	2500	1.9	1.0	37	260			○	○
JED-04015A24-3B ②	24					0.19								○	○	
JE3-04019A12-3B ③		198	208	233	31	12	0.29	2400	2.2	1.3	36	275				○
JE3-04019A24-3B ③	24					0.16									○	
JE3-04029A12-3B ④		300	310	335	31	12	0.33	2000	1.6	1.8	32	350				○
JE3-04029A24-3B ④	24					0.18									○	
JE3-04030A24-3B ⑤		310	320	350	38	24	0.30	2600	3.0	2.7	39	420			△	○
JE3-04035A24-3B ⑥		360	370	400	38		0.32	2450	2.6	3.0	38	470			△	○
JE3-04040A24-3B ⑦		410	420	450	38		0.34	2300	2.5	3.5	37	510			△	○
JF3-4030X2A24-3B ⑧		630	640	670	38		0.26	1800	1.4	3.7	39	690			△	⊙
JF3-4035X2A24-3B ⑨		730	740	770	38		0.27	1750	1.4	4.2	38	770			△	⊙
JF3-4040X2A24-3B ⑩		830	840	870	38		0.28	1600	1.3	4.6	37	830			△	⊙



JM3-040A SERIES DC FAN

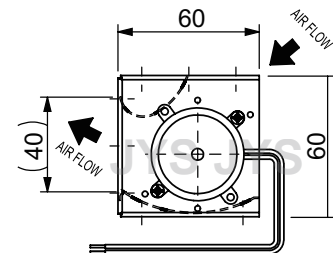
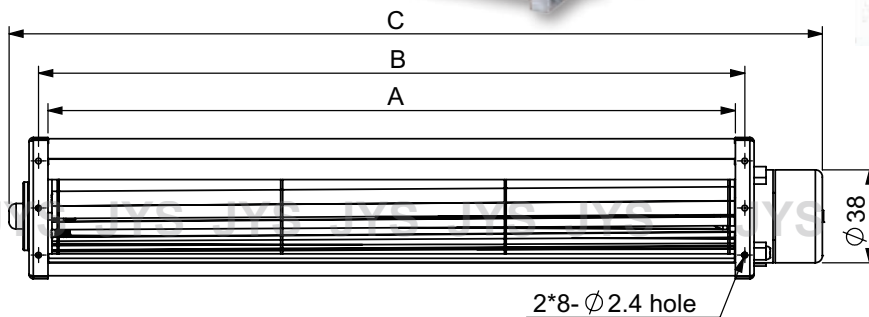
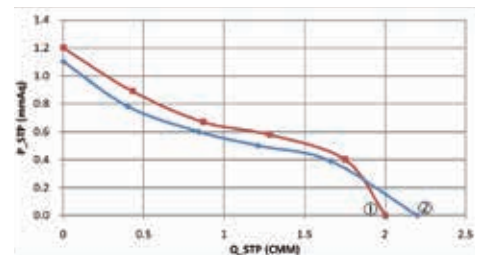


Motor : DC Brushless type

△ : CE Available

Model	Spec.	Size(mm)			Rated Voltage (V)	Rated Current (A)	Speed (r.p.m.)	Max Pressure (mmAq)	Maximum Air Flow (m ³ /min)	Noise (dBA)	Weight (g)	Safety Approval		
		A	B	C								UL	TUV	CE
JM3-04030A12-3B ①	①	310	320	351	12	0.40	3250	1.4	1.6	42	455			△
JM3-04030A24-3B ①					24	0.20								△
JM3-04035A12-3B ②	②	360	370	401	12	0.43	3100	1.3	1.9	40	500			△
JM3-04035A24-3B ②					24	0.21								△
JM3-04040A12-3B ③	③	410	420	451	12	0.46	3000	1.2	2.0	40	540			△
JM3-04040A24-3B ③					24	0.22								△

JQ3-043A SERIES DC FAN



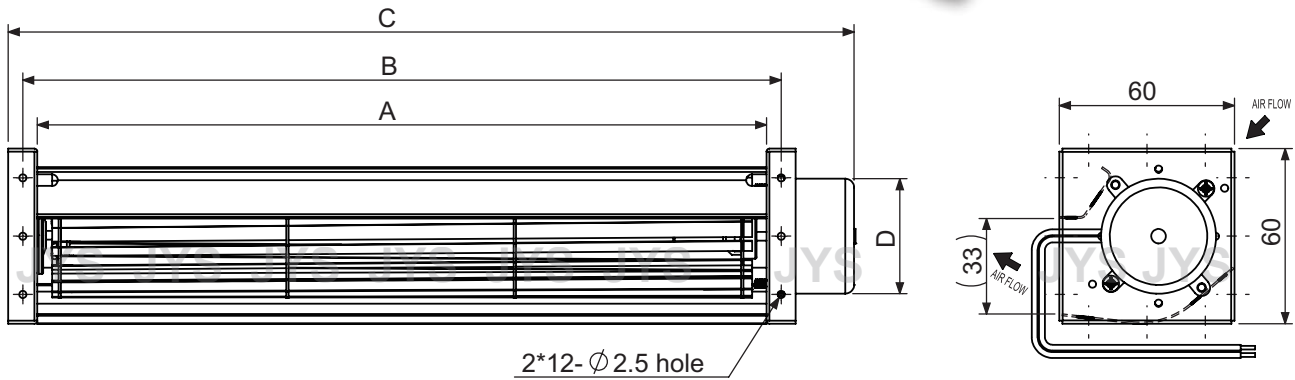
Motor : DC Brushless type(3Phase)

△ : CE Available

Model	Spec.	Size(mm)			Rated Voltage (V)	Rated Current (A)	Speed (r.p.m.)	Max Pressure (mmAq)	Maximum Air Flow (m ³ /min)	Noise (dBA)	Weight (g)	Safety Approval		
		A	B	C								UL	TUV	CE
JQ3-04325A24-3B ①	①	252	260	306	24	0.23	2900	1.2	2.0	36	340			△
JQ3-04329A24-3B ②						0.23						2900	1.1	2.2



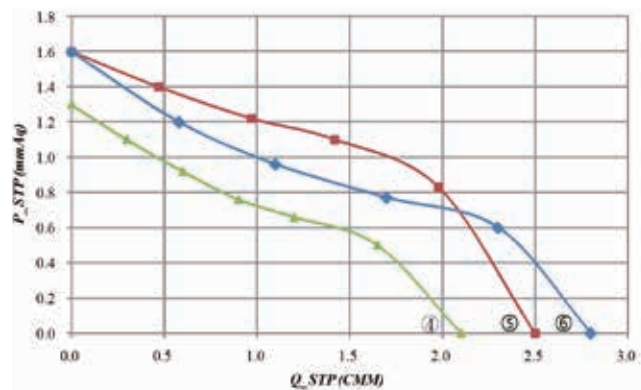
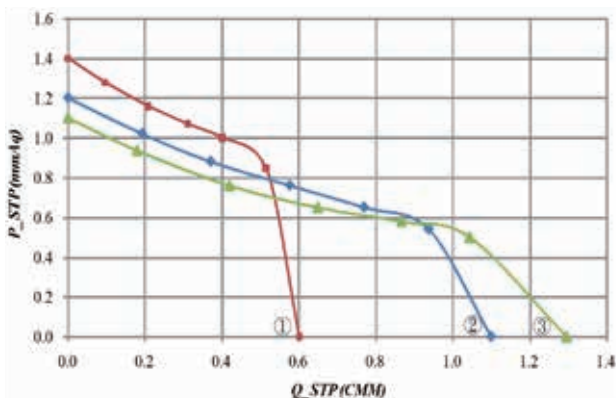
JED-043A/JE3-043A SERIES DC FAN



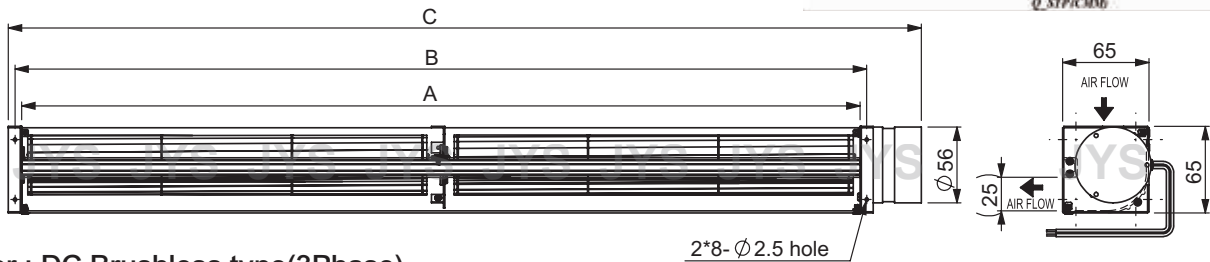
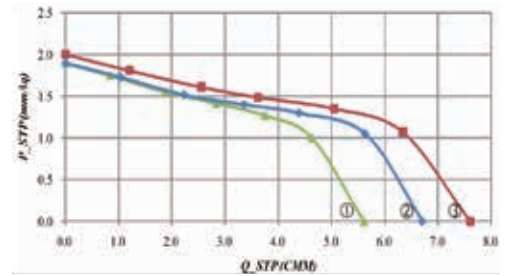
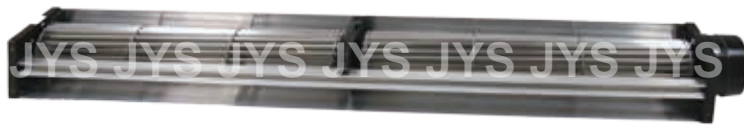
Motor : DC Brushless type

△ : CE Available

Model	Spec.	Size(mm)				Rated Voltage (V)	Rated Current (A)	Speed (r.p.m.)	Max Pressure (mmAq)	Maximun Air Flow (m ³ /min)	Noise (dBA)	Weight (g)	Safety Approval		
		A	B	C	D								UL	TUV	CE
JED-04309A12-3B	①	98	108	133	31	12	0.25	2700	1.4	0.6	39	220			
JED-04309A24-3B	①					24	0.18								
JE3-04315A12-3B	②	160	170	195	31	12	0.29	2300	1.2	1.1	38	240			
JE3-04315A24-3B	②					24	0.17								
JE3-04319A12-3B	③	198	208	233	31	12	0.32	2050	1.1	1.3	35	265			
JE3-04319A24-3B	③					24	0.18								
JE3-04324A12-3B	④	250	260	290	38	12	0.55	2750	1.3	2.1	43	365			△
JE3-04324A24-3B	④					24	0.25								
JE3-04329A24-3B	⑤	300	310	340	38	24	0.28	2600	1.6	2.5	38	420			△
JE3-04335A24-3B	⑥	360	370	400	38		0.30						2500	1.6	2.8



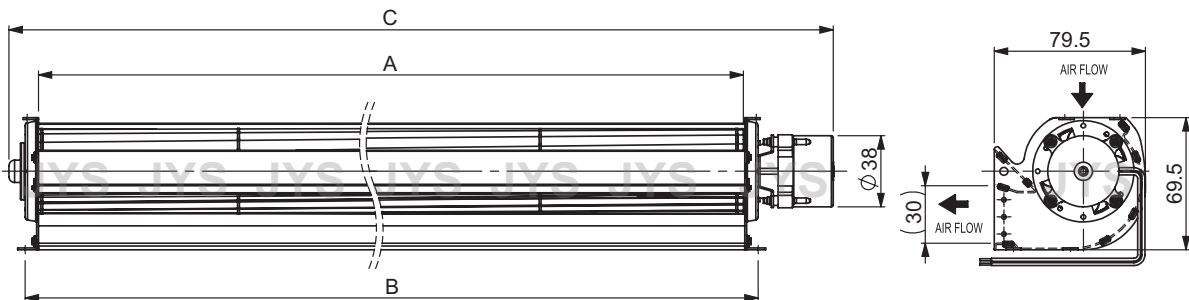
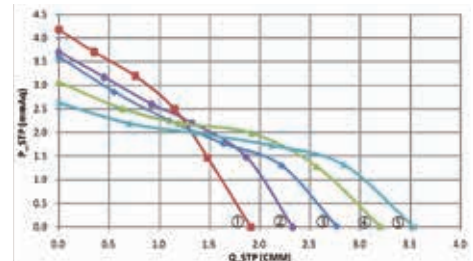
JG3-045A SERIES (Double Blower)DC FAN



Motor : DC Brushless type(3Phase)

Model	Spec.	Size(mm)			Rated Voltage (V)	Rated Current (A)	Speed (r.p.m.)	Max Pressure (mmAq)	Maximun Air Flow (m ³ /min)	Noise (dBA)	Weight (kg)
		A	B	C							
JG3-4530X2A24 -3B	①	630	640	686	24	0.40	2000	1.9	5.6	44	1.0
JG3-4536X2A24 -3B	②	750	760	806		0.46	1950	1.9	6.7	44	1.1
JG3-4542X2A24 -3B	③	870	880	926		0.51	1850	2.0	7.6	44	1.2

JQ3-045A SERIES DC FAN



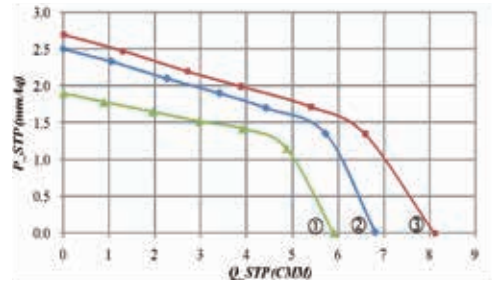
Motor : DC Brushless type(3Phase)

△ : CE Available

Model	Spec.	Size(mm)			Rated Voltage (V)	Rated Current (A)	Speed (r.p.m.)	Max Pressure (mmAq)	Maximun Air Flow (m ³ /min)	Noise (dBA)	Weight (g)	Safety Approval		
		A	B	C								UL	TUV	CE
JQ3-04518A24Q-3B	①	180	194	243	24	0.23	2000	4.1	1.9	46	450			△
JQ3-04524A24Q-3B	②	240	254	303		0.24	1800	3.7	2.3	45	530			△
JQ3-04530A24Q-3B	③	300	314	363		0.27	1700	3.6	2.7	44	610			△
JQ3-04536A24Q-3B	④	360	374	423		0.29	1600	3.1	3.2	43	690			△
JQ3-04542A24Q-3B	⑤	420	434	483		0.30	1500	2.6	3.6	42	770			△



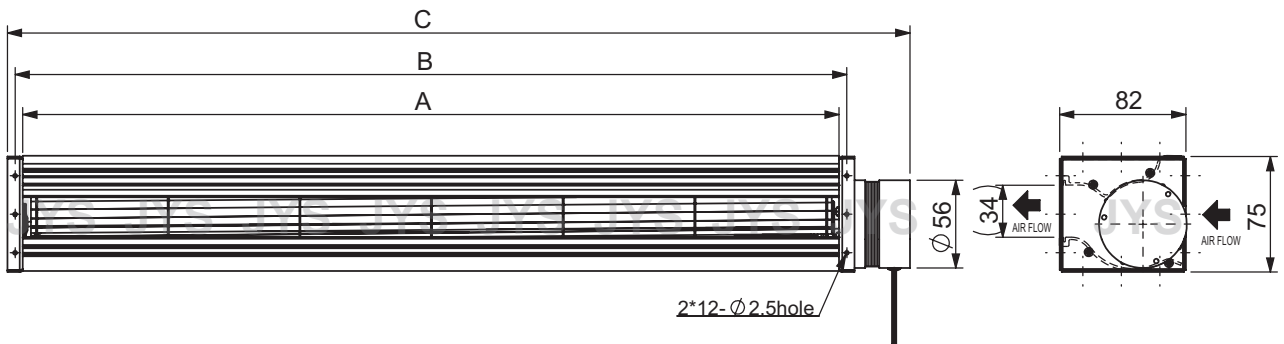
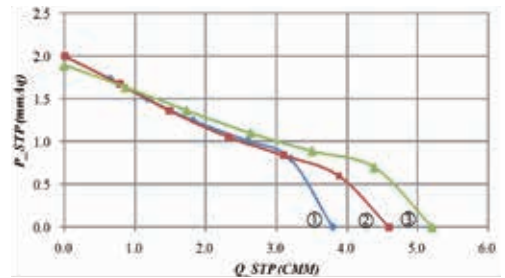
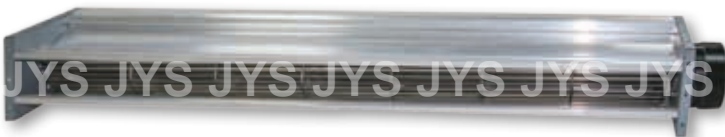
JF3-045A SERIES(Double Blower) DC FAN



Motor : DC Brushless type(3Phase)

Model	Spec.	Size(mm)			Rated Voltage (V)	Rated Current (A)	Speed (r.p.m.)	Max Pressure (mmAq)	Maximun Air Flow (m ³ /min)	Noise (dBA)	Weight (kg)
		A	B	C							
JF3-4530X2A24-3B	①	630	640	686	24	0.49	1800	1.9	5.9	50	1.15
JF3-4536X2A24-3B	②	750	760	806		0.55	1750	2.5	6.8	50	1.25
JF3-4542X2A24-3B	③	870	880	926		0.60	1650	2.7	8.1	49	1.35

JM3-050A SERIES DC FAN



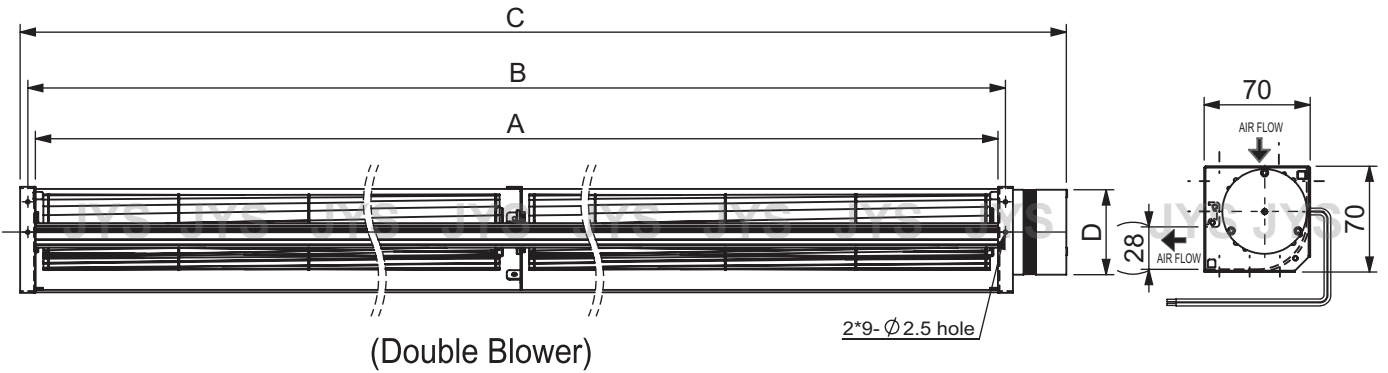
Motor : DC Brushless type(3Phase)

Model	Spec.	Size(mm)			Rated Voltage (V)	Rated Current (A)	Speed (r.p.m.)	Max Pressure (mmAq)	Maximun Air Flow (m ³ /min)	Noise (dBA)	Weight (kg)
		A	B	C							
JM3-05042A24-3B	①	430	440	486	24	0.46	2800	2.0	3.8	43	1.00
JM3-05052A24-3B	②	530	540	586		0.49	2750	2.0	4.6	43	1.10
JM3-05060A24-3B	③	610	620	666		0.55	2700	1.9	5.2	42	1.20

JE3-050/JF3-050A SERIES DC FAN



(Single Blower)

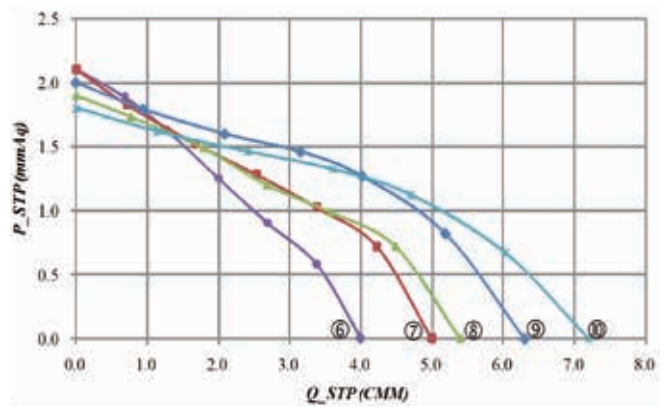
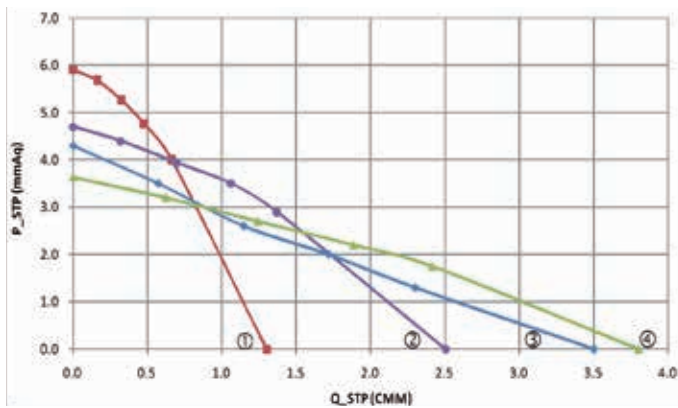


(Double Blower)

Motor : DC Brushless type (3Phase)

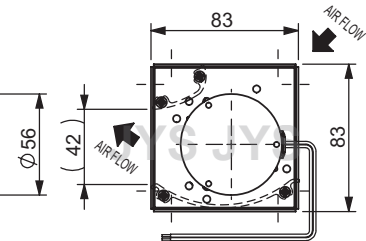
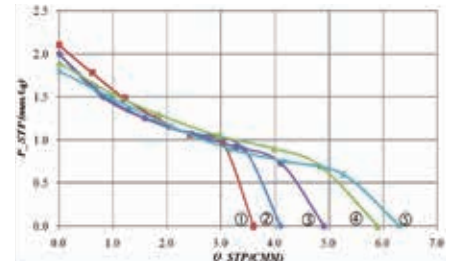
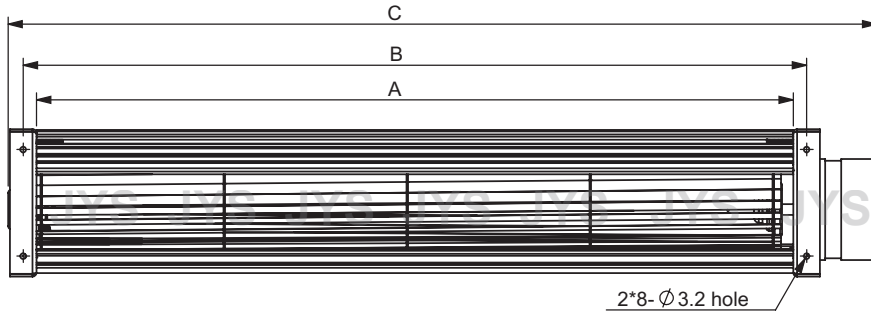
△ : CE Available ○ : Single Blower ◎ : Double Blower

Model	Spec.	Size(mm)				Rated Voltage (V)	Rated Current (A)	Speed (r.p.m.)	Max Pressure (mmAq)	Maximun Air Flow (m ³ /min)	Noise (dBA)	Weight (g)	Safety Approval			Blower
		A	B	C	D								UL	TUV	CE	
JE3-05009A24-3B	①	98	108	148	38	24	0.13	2600	5.9	1.3	37	370			△	○
JE3-05019A24-3B	②	198	208	248	38		0.31	2500	4.7	2.5	43	470			△	○
JE3-05029A24-3B	③	298	308	348	38		0.35	2200	4.3	3.5	44	590			△	○
JE3-05035A24-3B	④	358	368	408	38		0.26	1800	3.7	3.8	36	660			△	○
JE3-05042A24-3B	⑤	428	438	478	38		0.27	1700	3.3	4.2	35	730			△	○
JF3-05042A24-3B	⑥	430	440	486	56		0.36	2050	2.1	4.0	43	850				○
JF3-05052A24-3B	⑦	530	540	586	56		0.39	2000	2.1	5.0	43	960				○
JF3-05060A24-3B	⑧	610	620	666	56		0.44	1900	1.9	5.4	42	1020				○
JF3-5035X2A24-3B	⑨	730	740	786	56		0.47	1900	2.0	6.3	42	1210				◎
JF3-5042X2A24-3B	⑩	870	880	926	56		0.52	1800	1.8	7.2	42	1350				◎





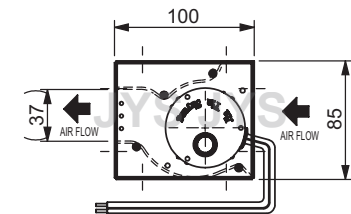
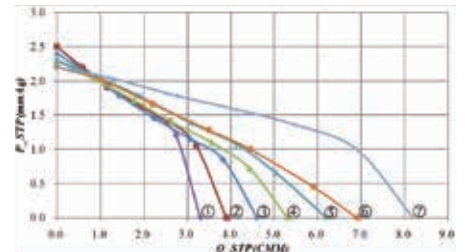
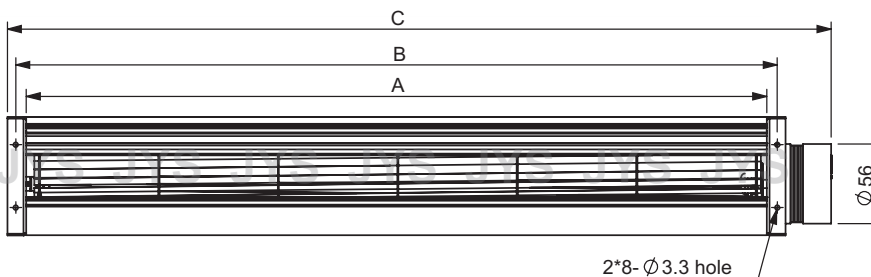
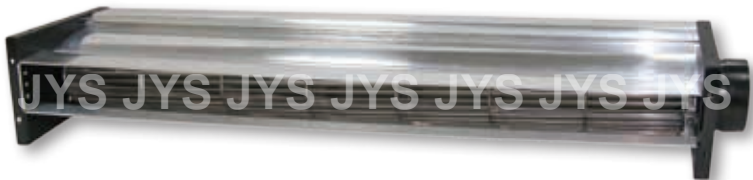
JH3-060A SERIES DC FAN



Motor : DC Brushless type(3Phase)

Model	Spec.	Size(mm)			Rated Voltage (V)	Rated Current (A)	Speed (r.p.m.)	Max Pressure (mmAq)	Maximun Air Flow (m³/min)	Noise (dBA)	Weight (kg)
		A	B	C							
JH3-06030A24-3B	①	306	321	369	24	0.65	2600	2.1	3.6	47	0.90
JH3-06036A24-3B	②	366	381	429		0.71	2500	2.0	4.1	46	1.00
JH3-06042A24-3B	③	426	441	489		0.77	2450	2.0	4.9	46	1.05
JH3-06052A24-3B	④	526	541	589		0.85	2350	1.9	5.9	45	1.20
JH3-06060A24-3B	⑤	606	621	669		0.87	2200	1.8	6.3	44	1.25

JM3-060A SERIES DC FAN



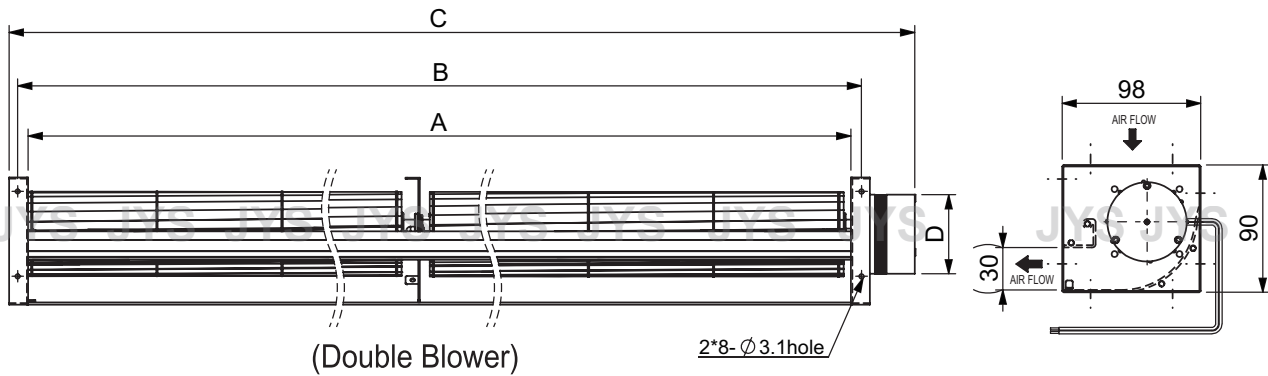
Motor : DC Brushless type(3Phase)

Model	Spec.	Size(mm)			Rated Voltage (V)	Rated Current (A)	Speed (r.p.m.)	Max Pressure (mmAq)	Maximun Air Flow (m³/min)	Noise (dBA)	Weight (kg)
		A	B	C							
JM3-06030A24-3B	①	310	325	370	24	0.53	2650	2.5	3.3	45	0.95
JM3-06036A24-3B	②	370	385	430		0.58	2600	2.5	3.9	45	1.00
JM3-06042A24-3B	③	430	445	490		0.63	2550	2.4	4.6	44	1.10
JM3-06052A24-3B	④	530	545	590		0.69	2450	2.3	5.6	43	1.25
JM3-06060A24-3B	⑤	610	625	670		0.73	2400	2.3	6.2	43	1.35
JM3-06070A24-3B	⑥	710	725	770		0.79	2350	2.2	6.9	42	1.45
JM3-6042X2A24-3B	⑦	870	885	953		0.86	2350	2.2	8.2	42	1.90

JE3-060/JG3-060A SERIES DC FAN



(Single Blower)

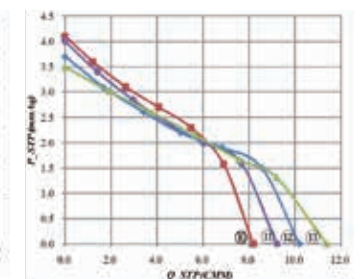
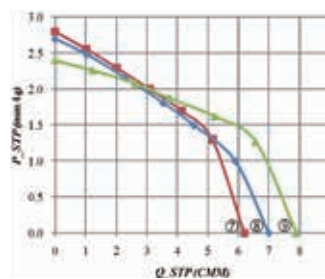
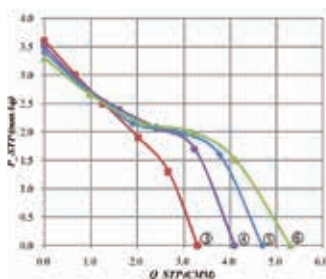
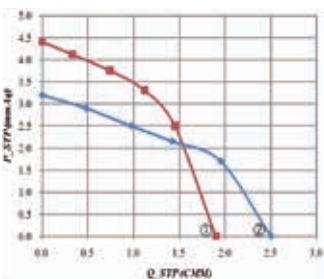


(Double Blower)

Motor : DC Brushless type (3Phase)

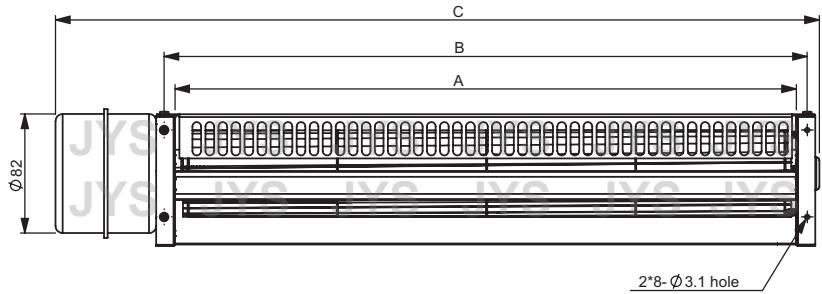
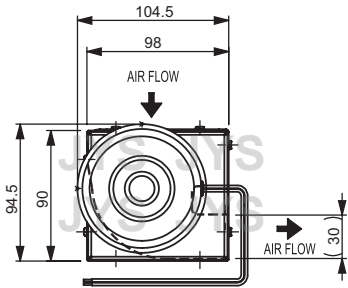
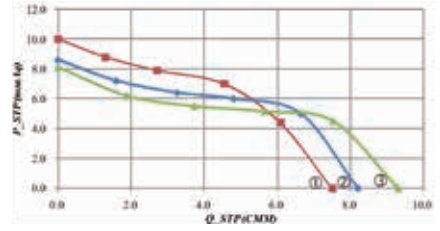
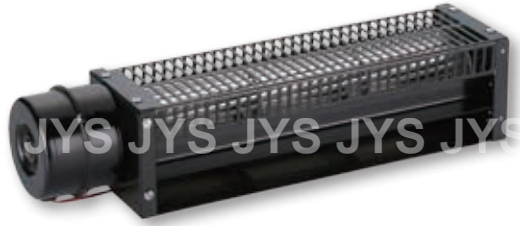
△ : CE Available ○ : Single Blower ⊙ : Double Blower

Model	Spec.	Size(mm)				Rated Voltage (V)	Rated Current (A)	Speed (r.p.m.)	Max Pressure (mmAq)	Maximun Air Flow (m ³ /min)	Noise (dBA)	Weight (g)	Safety Approval			Blower
		A	B	C	D								UL	TUV	CE	
JE3-06012A24-3B	①	124	139	169	38	24	0.35	2500	4.4	1.9	49	500			△	○
JE3-06018A24-3B	②	184	199	229	38		0.40	2200	3.2	2.5	45	580			△	○
JE3-06024A24-3B	③	245	260	305	56		0.42	2100	3.6	3.3	44	850				○
JE3-06030A24-3B	④	306	321	366	56		0.46	2000	3.5	4.1	43	930				○
JE3-06036A24-3B	⑤	368	383	428	56		0.51	1950	3.4	4.7	43	1000				○
JE3-06042A24-3B	⑥	429	444	489	56		0.53	1900	3.3	5.3	43	1080				○
JG3-06052A24L-3B	⑦	530	545	590	56		0.58	1750	2.8	6.2	43	1200				○
JG3-06060A24L-3B	⑧	610	625	670	56		0.64	1650	2.7	7.0	43	1290				○
JG3-06070A24L-3B	⑨	710	725	770	56		0.68	1600	2.3	7.9	42	1400				○
JG3-06052A24H-3B	⑩	530	545	613	56		1.07	2250	4.1	8.2	53	1350				○
JG3-06060A24H-3B	⑪	610	625	693	56		1.13	2200	4.0	9.2	53	1440				○
JG3-06070A24H-3B	⑫	710	725	793	56		1.20	2100	3.7	10.2	52	1550				○
JG3-6042X2A24-3B	⑬	870	885	953	56		1.20	2000	3.5	11.4	50	1740				⊙





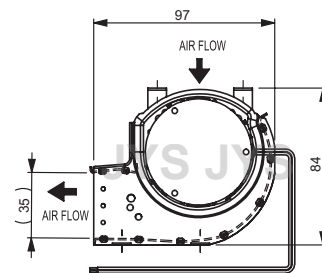
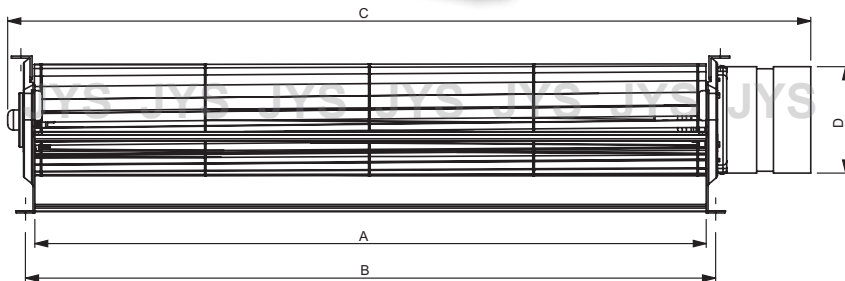
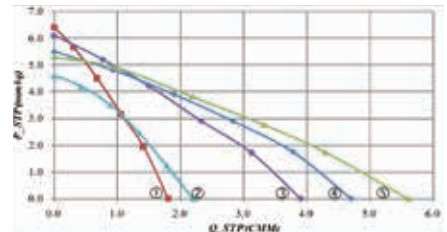
JE3-060BH SERIES DC FAN



Motor : DC Brushless type(3Phase)

Spec. Model	Size(mm)			Rated Voltage (V)	Rated Current (A)	Speed (r.p.m.)	Max Pressure (mmAq)	Maximum Air Flow (m ³ /min)	Noise (dBA)	Weight (kg)
	A	B	C							
JE3-06030B24H-3B	306	321	405	24	2.3	3500	10.0	7.5	62	1.4
JE3-06030B48H-3B				48	1.0					
JE3-06036B48H-3B	368	383	467	48	1.1	3300	8.6	8.2	60	1.6
JE3-06042B48H-3B	429	444	528	48	2.0	3150	8.1	9.3	60	1.8

JQF3-060A SERIES DC FAN

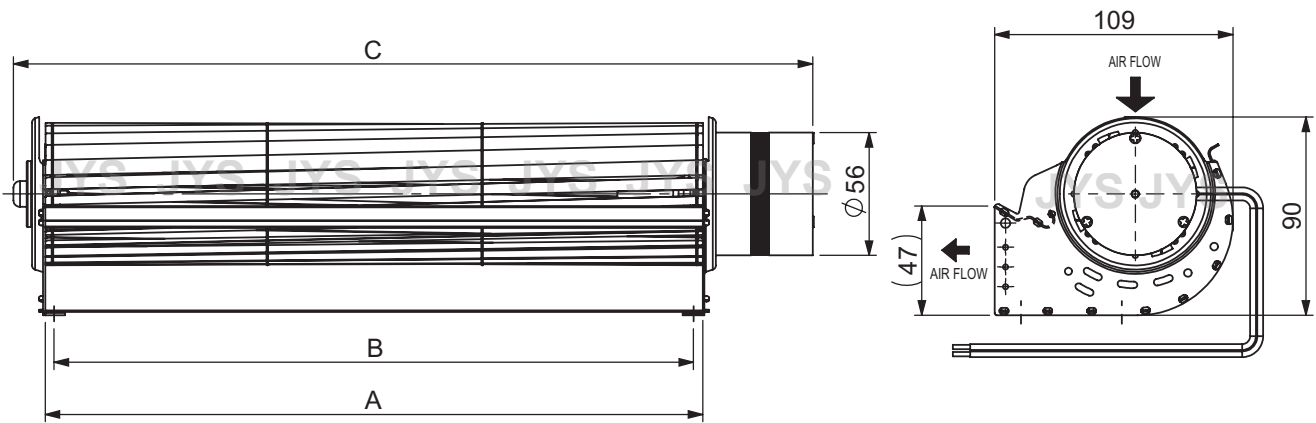


Motor : DC Brushless type(3Phase)

△ : CE Available

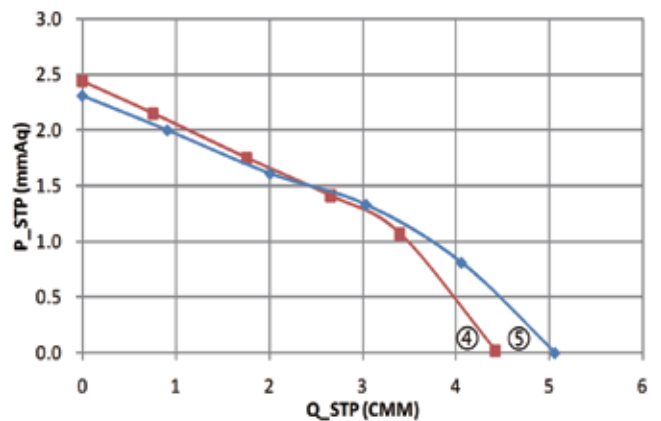
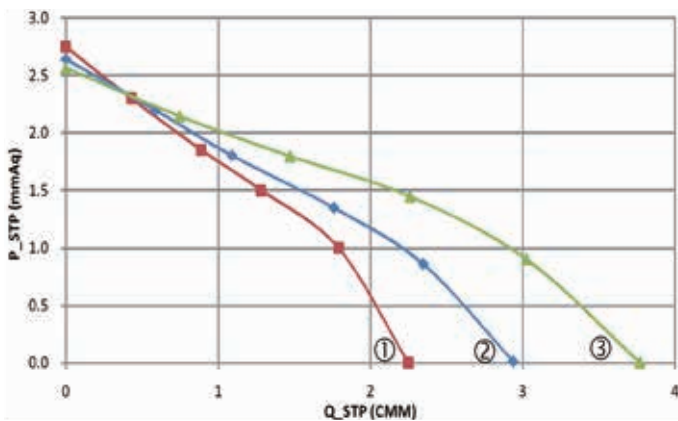
Spec. Model	Size(mm)				Rated Voltage (V)	Rated Current (A)	Speed (r.p.m.)	Max Pressure (mmAq)	Maximum Air Flow (m ³ /min)	Noise (dBA)	Weight (g)	Safety Approval		
	A	B	C	D								UL	TUV	CE
JQF3-06012A24-3B ①	120	130	170	38	24	0.24	2000	6.4	1.8	49	400			△
JQF3-06018A24-3B ②	180	190	230	38		0.28	1600	4.6	2.2	44	570			△
JQF3-06024A24-3B ③	240	250	310	56		0.51	2000	6.1	3.9	49	790			
JQF3-06030A24-3B ④	300	310	370	56		0.59	1850	5.5	4.7	47	860			
JQF3-06036A24-3B ⑤	360	370	430	56		0.66	1750	5.3	5.6	46	950			

JQ3-065A SERIES DC FAN



Motor : DC Brushless type(3Phase)

Model	Spec.	Size(mm)			Rated Voltage (V)	Rated Current (A)	Speed (r.p.m.)	Max Pressure (mmAq)	Maximum Air Flow (m ³ /min)	Noise (dBA)	Weight (g)
		A	B	C							
JQ3-06518A24-3B	①	180	172	250	24	0.20	1400	2.8	2.2	44	740
JQ3-06524A24-3B	②	240	232	310		0.23	1300	2.7	2.9	43	810
JQ3-06530A24-3B	③	300	292	370		0.27	1250	2.6	3.8	43	930
JQ3-06536A24-3B	④	360	352	430		0.29	1200	2.4	4.4	42	1050
JQ3-06542A24-3B	⑤	420	412	490		0.32	1150	2.3	5.1	41	1110

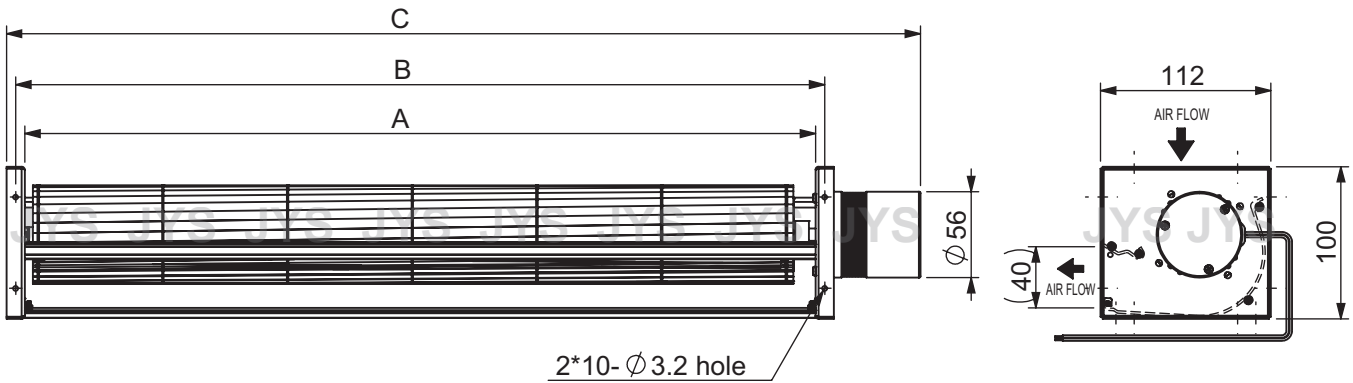




JG3-065A SERIES DC FAN

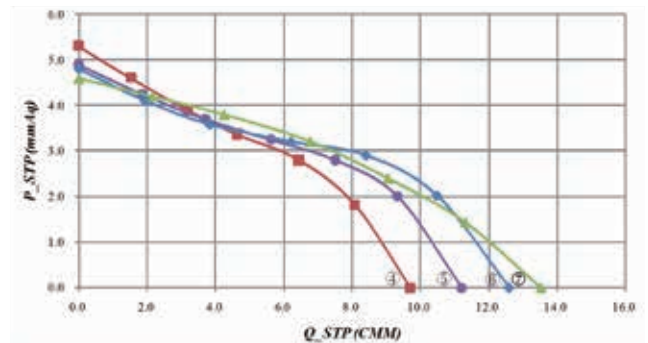
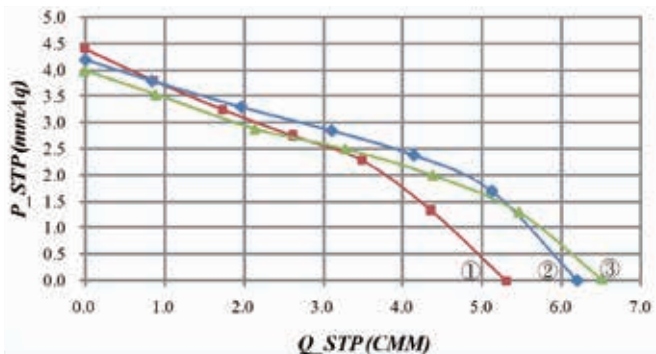


(Single Blower)

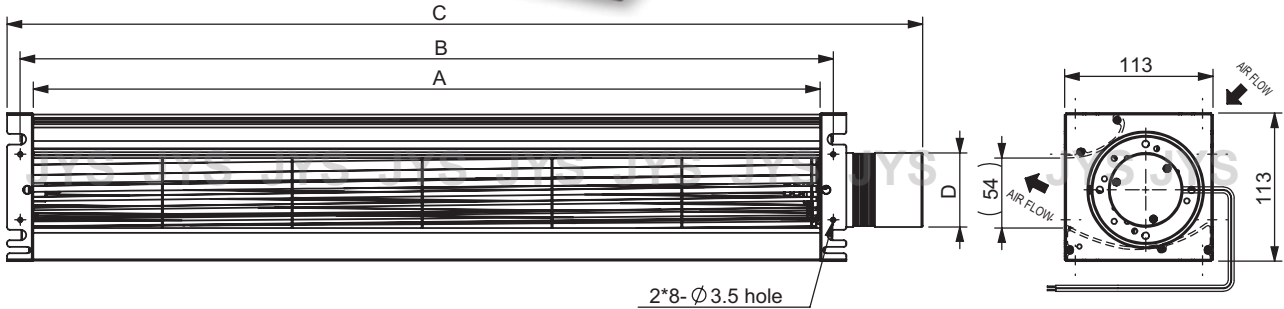
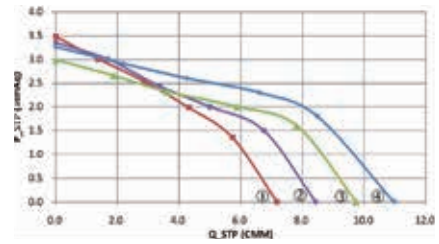


Motor : DC Brushless type (3Phase)

Model	Spec.	Size(mm)			Rated Voltage (V)	Rated Current (A)	Speed (r.p.m.)	Max Pressure (mmAq)	Maximun Air Flow (m ³ /min)	Noise (dBA)	Weight (kg)
		A	B	C							
JG3-06530A12-3B	①	315	327	373	12	1.27	1700	4.4	5.3	49	1.0
JG3-06530A24-3B	①				24						
JG3-06536A12-3B	②	375	387	433	12	1.44	1600	4.2	6.2	48	1.1
JG3-06536A24-3B	②				24						
JG3-06542A12-3B	③	435	447	493	12	1.49	1550	4.0	6.5	47	1.2
JG3-06542A24-3B	③				24						
JG3-06550A24-3B	④	520	532	601	24	1.20	1850	5.3	9.7	54	1.4
JG3-06560A24-3B	⑤	620	632	701	24	1.32	1700	4.9	11.2	50	1.6
JG3-06570A24-3B	⑥	720	732	801	24	1.38	1650	4.8	12.6	50	1.7
JG3-6542X2A24-4B	⑦	880	892	961	24	1.45	1600	4.6	13.5	48	2.0



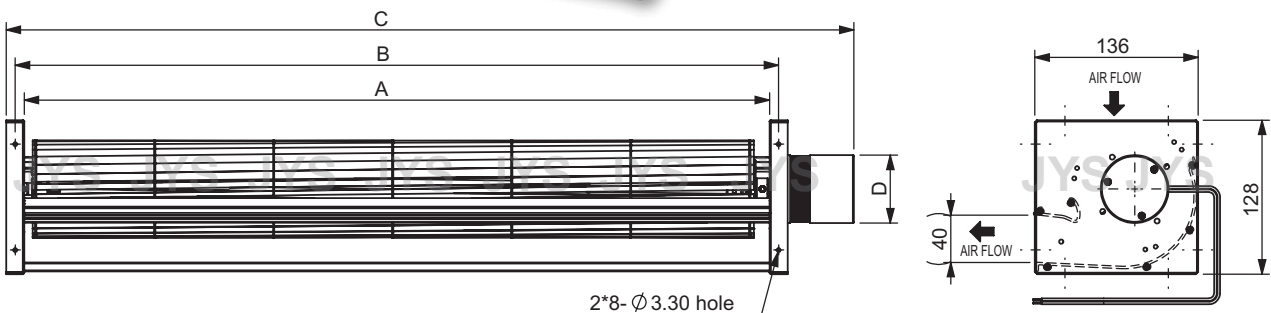
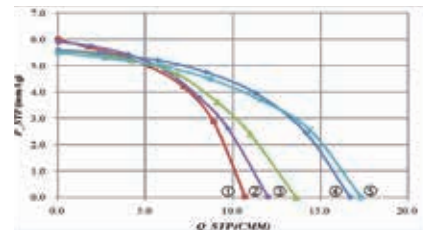
JH3-081A SERIES DC FAN



Motor : DC Brushless type(3Phase)

Model	Spec.	Size(mm)				Rated Voltage (V)	Rated Current (A)	Speed (r.p.m.)	Max Pressure (mmAq)	Maximum Air Flow (m ³ /min)	Noise (dBA)	Weight (kg)
		A	B	C	D							
JH3-08142A24-3B ①		420	440	518	56	24	1.55	1850	3.5	7.2	51	1.65
JH3-08150A24-3B ②		500	520	598	56		1.75	1700	3.4	8.4	48	1.80
JH3-08160A24-3B ③		600	620	698	56		1.85	1600	3.0	9.7	46	1.95
JH3-08170A24-3B ④		700	720	798	82		2.10	1700	3.3	11.0	48	2.60

JF3-081A SERIES DC FAN

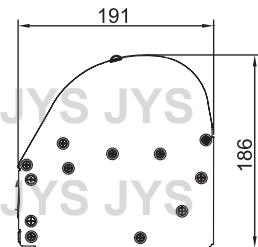
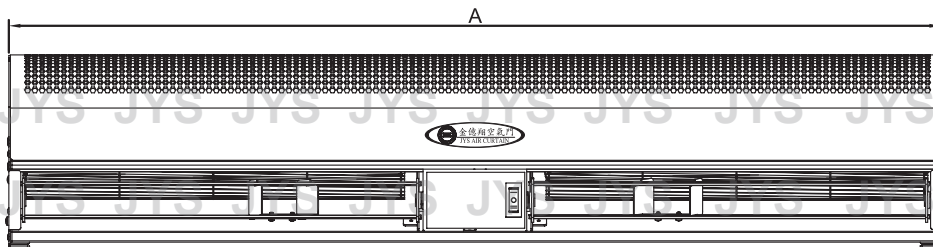


Motor : DC Brushless type(3Phase)

Model	Spec.	Size(mm)				Rated Voltage (V)	Rated Current (A)	Speed (r.p.m.)	Max Pressure (mmAq)	Maximum Air Flow (m ³ /min)	Noise (dBA)	Weight (kg)
		A	B	C	D							
JF3-08142A24-3B ①		440	455	525	56	24	1.70	1700	6.0	10.7	57	1.90
JF3-08150A24-3B ②		520	535	605	56		1.83	1650	5.9	12.0	57	2.05
JF3-08160A24-3B ③		620	635	705	56		2.00	1550	5.6	13.6	56	2.25
JF3-08170A24-3B ④		720	735	805	82		2.27	1550	5.6	16.7	56	2.90
JF3-08180A24-3B ⑤		820	835	905	82		2.35	1500	5.5	17.3	55	3.05



JAC-110 SERIES AC AIR CURTAIN



Model	Spec.	size (mm)	Speed	Rated Voltage (V)	Rated Frequency (Hz)	Rated Current (A)	Input Power (W)	Air Speed (r.p.m.)	Effective Distance (m)	Maximum Air Flow (m ³ /min)	Noise (dBA)	Weight (kg)
	A	A										
JAC-1103-11		900	HI/LOW	1Ø-110	60	1.18/0.92	128/102	11.5/9.5	3.5/3.0	33/28	57/53	8.5
JAC-1103-22		900	HI/LOW	1Ø-220	60	0.60/0.47	131/101	11.5/9.5	3.5/3.0	33/28	57/53	8.5
JAC-1103-23		900	HI/LOW	1Ø-230	50	0.54/0.40	120/92	11.5/9.5	3.5/3.0	33/28	57/53	8.5
JAC-1104-11		1200	HI/LOW	1Ø-110	60	1.72/1.34	190/150	11.5/9.5	3.5/3.0	44/37	59/55	10.5
JAC-1104-22		1200	HI/LOW	1Ø-220	60	0.85/0.67	191/148	11.5/9.5	3.5/3.0	44/37	59/55	10.5
JAC-1104-23		1200	HI/LOW	1Ø-230	50	0.74/0.61	170/140	11.5/9.5	3.5/3.0	44/37	59/55	10.5
JAC-1105-11		1500	HI/LOW	1Ø-110	60	2.24/1.62	242/180	11.5/9.5	3.5/3.0	55/46	60/56	12.5
JAC-1105-22		1500	HI/LOW	1Ø-220	60	1.16/0.87	257/195	11.5/9.5	3.5/3.0	55/46	60/56	12.5
JAC-1105-23		1500	HI/LOW	1Ø-230	50	0.91/0.73	215/175	11.5/9.5	3.5/3.0	55/46	60/56	12.5

適用場所 (APPLICABLE FILEDS) :

公共娛樂場所

各大車站、百貨公司、商店、電影院、歌舞廳、咖啡廳、大餐廳、大飯店、大酒店、大旅社、飲食店、食品店、冰果店、理髮廳、美容院、醫院、療養院、辦公大樓、銀行金融界、保險公司、公司行號、學校實驗室、圖書館、會議室、電腦室等。

PUBLIC AND ENTERTAINMENT AREA

Big Supermarket, Shop, Boutique, Restaurant, Office, School, Waiting Room, Hotel, Hospital, Library, Museum, Meeting Room, Clinic, Department store, Bank, Computer room, Bus station, Food court, etc.

INTEGRATION INSTRUCTION

★機器組裝時注意事項

X表示錯誤之組裝方式 ○表示正確之組裝方式

<p>熱交換器等</p>		
	<p>⑤</p>	
	<p>⑦</p> <p>●斜線部份為所須空間 HATCHED LINE PORTION FOR MINIMIZE INSTALLATION SPACE</p>	



金億翔企業股份有限公司
JIN YIH SHYANG ENTERPRISE CO., LTD.

402 SEC.1, FUXIANG RD., ZHONGLI DIST.,
TAOYUAN CITY, 320 TAIWAN

TEL: 886-3-498-6461 FAX: 886-3-498-6460

Web site: www.cross-fan.com.tw

E-mail: jys@cross-fan.com.tw

2018版