

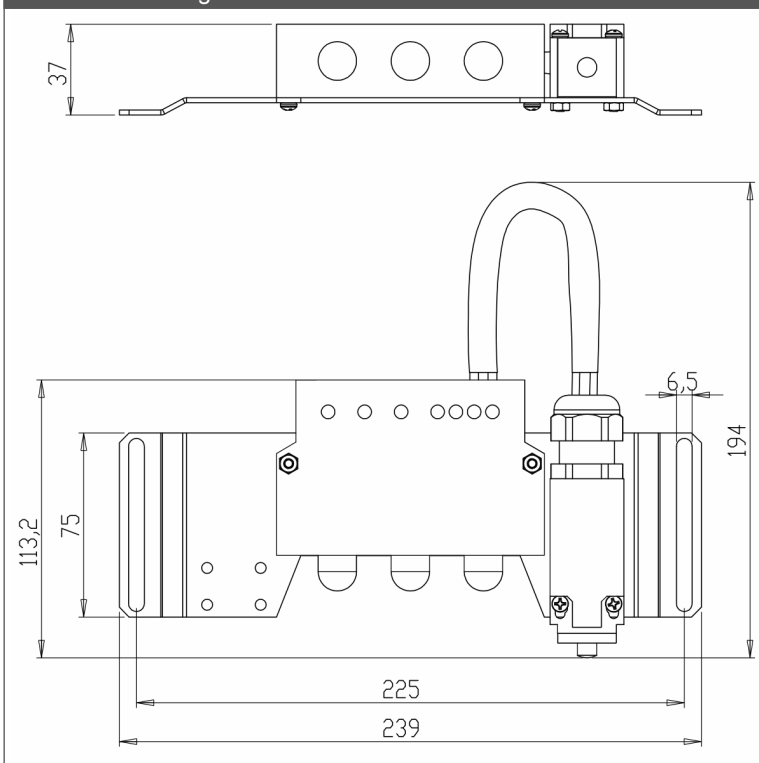
"FD02" FLASHING DEVICE

Description: **FLASHING DEVICE**

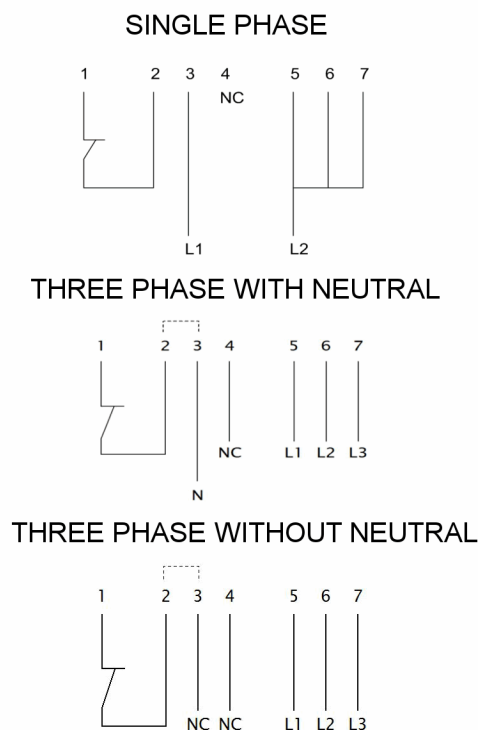


Casing material:	plastic
Protection degree:	IP20, according to IEC 529/ EN 60529
Fixing system:	by bracket
Electrical connection:	by screw terminals
Electrical section wires:	from 0,5mm ² to 2,5mm ²
Rated insulation voltage:	500 V
Storage temperature:	from -30°C to +80°C
Dimensions:	37x239x194 mm
Weight:	0,450 Kg
Approvals:	CE
Note:	Kit FD01 + FC-001

Technical drawing



Contact block



Model	Rated Voltage Range		Working Temp. Range	Approvals
	Single phase	Three-phase		
	Va.c. 50/60 Hz		°C	
FD02	110-290	220-500	-25°C + +70°C	CE;

All specifications, data and drawing are subject to change without notice and are approximate. Please refer to our terms of sales including our warranty and limited liabilities clauses.