

con60

Linear In-line Actuator

concens 
 - excellent electric actuators


Standard Specifications

Motor/Gear

24VDC power supply, permanent magnet motor

Gear ratio		19	43	66	81	100
Maximum load	[N]	1900	4300	6600	8100	10000
Speed at maximum load	[mm/s]	31	14	9	6	5

**Max. static load/
Self locking force**PA brackets: 4700N Alu/AISI: 16800N
Depending on stroke length for push-applications**Temperature**

■ Operation: -5°C to +50°C ■ Storage: -40°C to +70°C

Relative humidity

20% to 70%, atmospheric pressure = 1 atm

Protection class

IP66

Cable specification1m, 2X1.3mm² (AWG16), Ø=6.4mm, black, Molex Mini-Fit Jr. 6 pin**Bending Radius**

6x cable diameter

MaterialsMotor and actuator tube are powder coated steel
Piston rod is stainless steel
Front and rear brackets are aluminium**Duty cycle**

Max. 10% or 2 minutes in use followed by 18 minutes rest

Color

Black (RAL9005)

Options

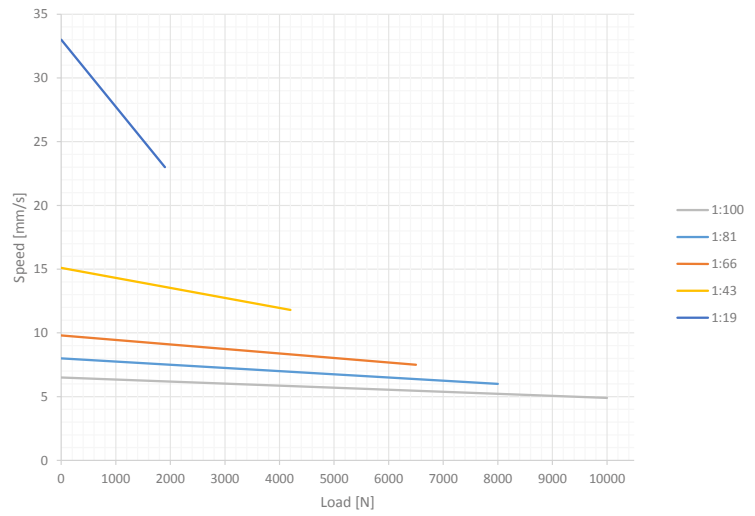
- Stainless steel versions(AISI 304 or 316)
- Brackets in stainless steel
- Brackets with clevis
- Brackets with spherical bearings
- Hall sensors for positioning and/or synchronization
- IP68/IP69K
- Low noise version
- Spline and emergency lowering
- Atex zone 22, group II 3 D compliant
- Eskimo version (-40°C to +50°C)
- Other cable lengths (1-9m)

On Request

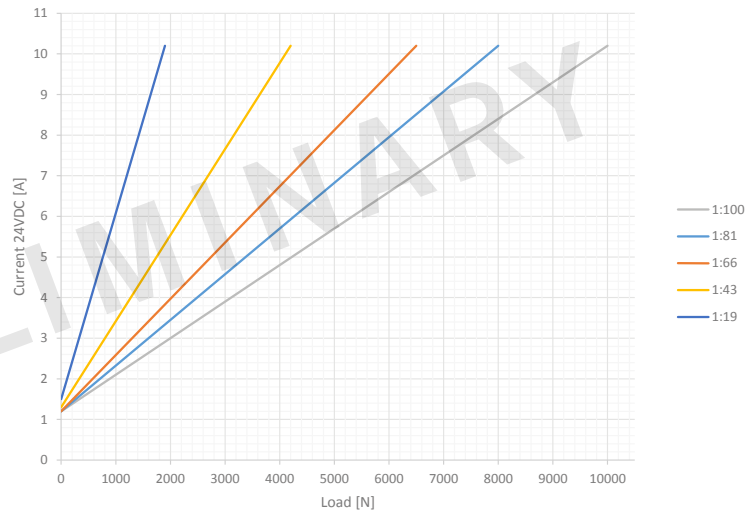
- Available in all RAL colors
- Other stroke lengths available
- Customized front and rear brackets
- Customized built-in dimensions

**Contact Concens for any
special requirements**

Speed/Force



Force/Current

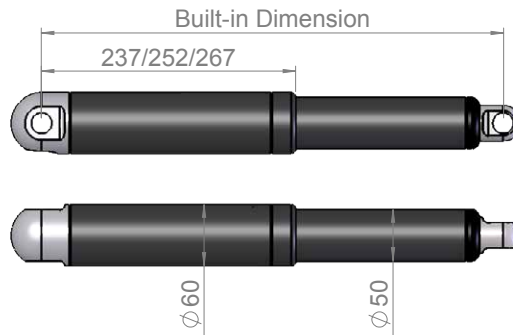


Recommended max. current: 24VDC = 12A

Dimensions

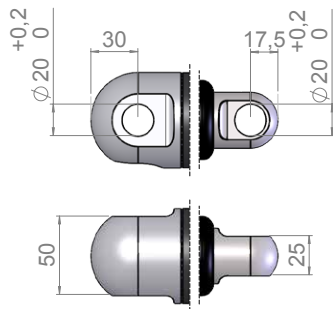
Axial backlash:
+/- 0.5mm

General
dimensional
variation:
+/- 1mm



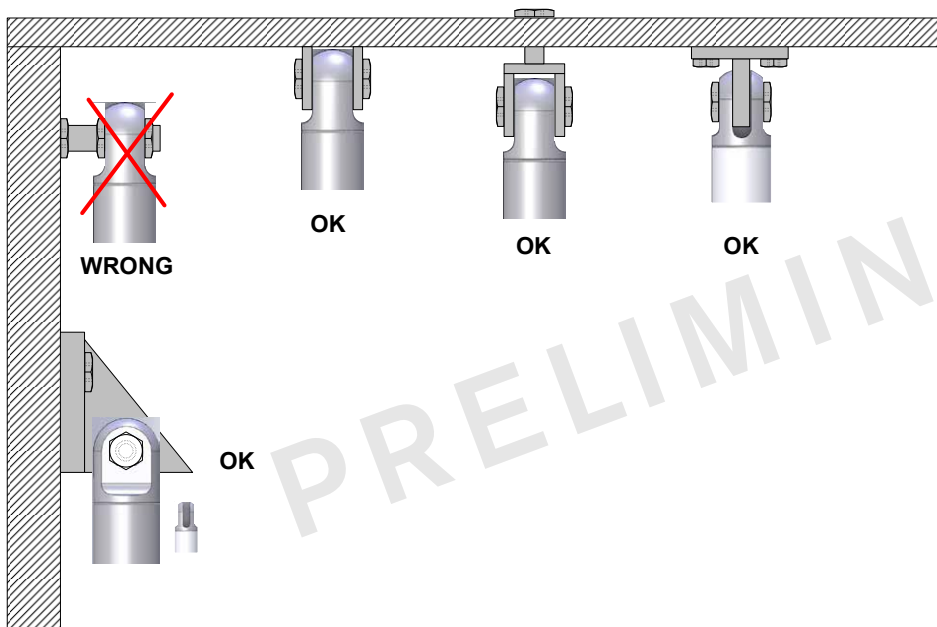
Built-In Dimension 'A'					
Gear Ratio	Standard	Clevis Rear	Hall	UL/EN60.601	IP68/IP69k
All ratios	358+stroke	-	+15	+15	+15

Standard Brackets



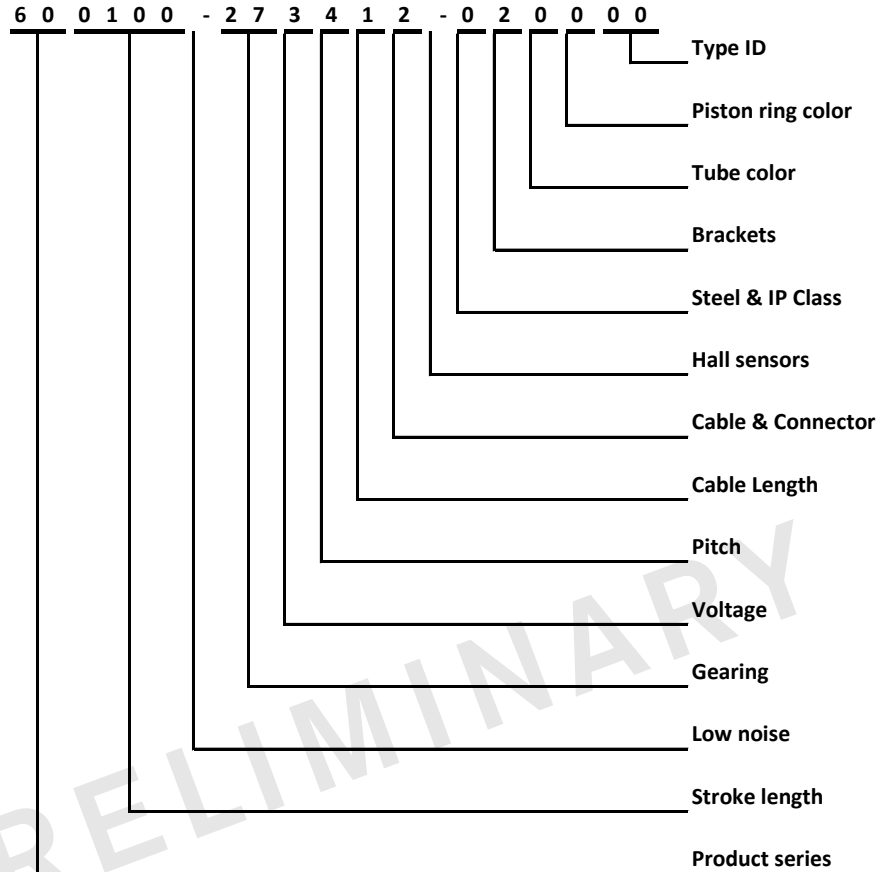
Alu
Max. static load
16800N

Recommended Mounting Methods



- Do not clamp actuators on tubing
- Always keep both brackets mounted in the same orientation and ensure to flush mount actuator
- Brackets must always be able to rotate on axels in mountings

Con60 Item Number Combination



Please Note

- Power supply without over-current protection can cause serious damage to the actuator at mechanical end-stop or when actuator is overloaded in another way
- Radial forces might have an adverse affect on the performance or lead to damage of the actuator
- Keep piston tube clean
- Longer cable lengths may cause voltage drop which affects the performance of the actuator
- For medical applications maximum ambient temperature is 48°C
- Function of the actuator is subject to the settings of the control box
- Concents does not have any responsibility for possible errors in this data sheet
- Specifications are subject to change without notice
- The dust and water sealing of IP68/IP69K actuators might affect their performance
- All specifications are for 25 °C ambient – low temperature might affect performance