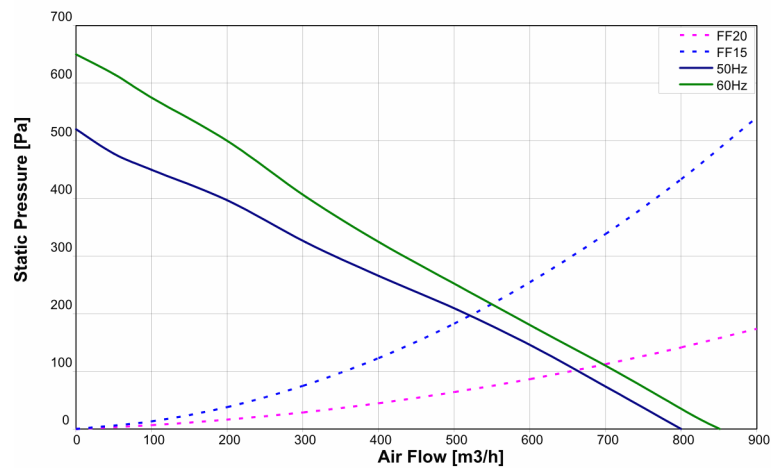
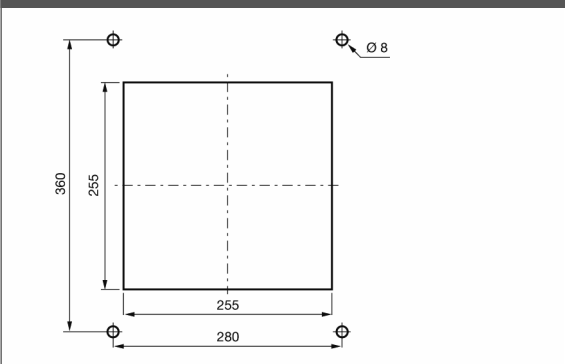
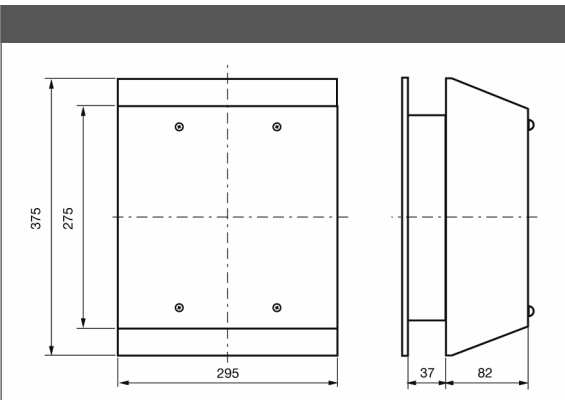


"T22" SERIES

Description: **Roof Exhaust Unit**



Type of material: epoxy painted steel casing
Standard colour: RAL 7032 and RAL 7035
Protection degree: IP23, according to EN 60529 standard
Fixing method: By No 4 M6 screws
Plate thickness: every
Storage temperature: from -20°C to +70°C
Lifetime L10 at 40°C: 50,000 h
Motor protection: thermal
Electrical connection: by 3 core 1.0 mm² cable (blue, brown, and y/g)
Earth connection: by yellow/green conductor
Appliance class: class I
Weight: 6.27 Kg



Model	Voltage (V)	Frequency (Hz)	Rated Current (A)	Rated Power (W)	Max Air Flow** (m3/h)	Static Pressure (Pa)	Fan Noise [db(A)]	Rated Temp. Range (°C)	Approvals
T22U115B	115 V a.c.	50/60	1.10/1.50	130/170	800/850	520/650	74.0/75.6	-20 ÷ +60	CE
T22U230B	230 V a.c.	50/60	0.56/0.70	125/161	800/850	520/650	75.2/76.7	-20 ÷ +60	CE

(*) data with uncertainty of 10%

All specifications, data and drawing are subject to change without notice and are approximate. Please refer to our terms of sales including our warranty and limited liabilities clauses.