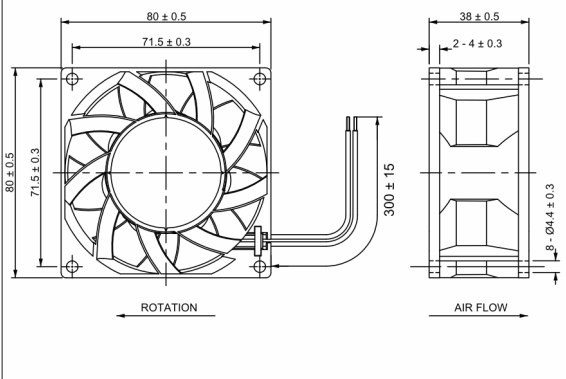
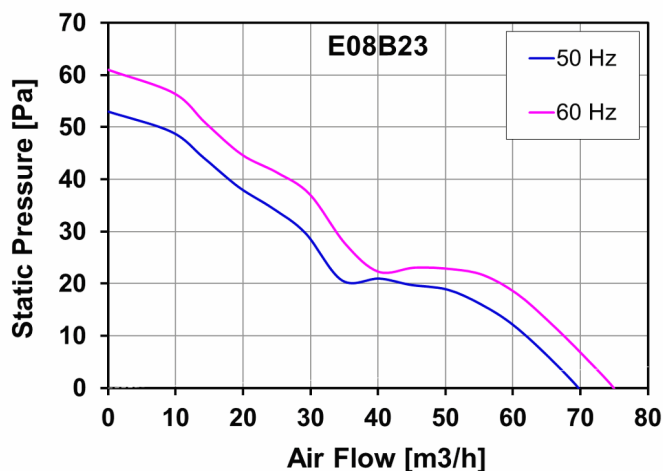
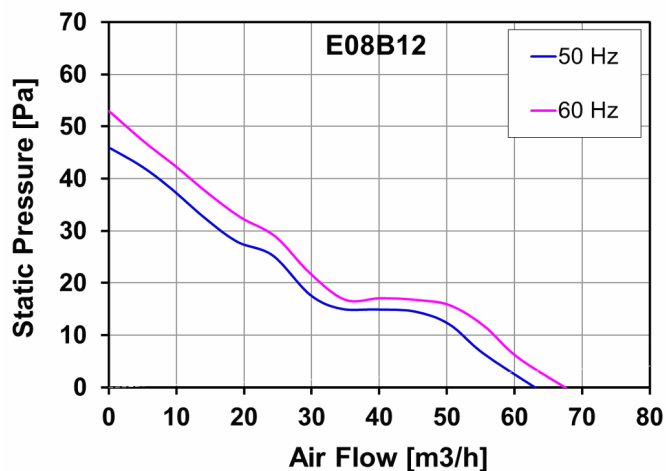


**"E08BL" SERIES COSTECH FANS**

Description: **EC Axial fan 80X80x38mm**



<b>Casing material:</b>	Thermoplastic in black color, UL 94 V-0
<b>Impeller material</b>	Thermoplastic in black color, UL 94 V-0
<b>Protection degree:</b>	IP20, according to EN 60529 standard
<b>Fixing system:</b>	by No 4 M4 screws
<b>Motor protection:</b>	Impedance
<b>Storage temperature:</b>	From -40°C to +80°C
<b>Rated temperature range:</b>	From -10°C to +70°C
<b>Lifetime L10 at 25°C:</b>	50,000 h
<b>Electrical connection:</b>	2 leads 24 AWG UL1430
<b>Approvals:</b>	CE
<b>Weight:</b>	0.270 kg



Model	Bearing	Voltage	Frequency	Rated Current	Rated Power	Max Air Flow**	Static Pressure	Noise	RPM	Approvals
		(V)	(Hz)	(A)	(W)	(m3/h)	(Pa)	[db(A)]	(rpm)	
E08B12HWBL00	Ball	115 V a.c.	50/60	0.06/0.06	5.0/5.0	64/68	46/53	35/37	2,800/3,000	CE
E08B23HWBL00	Ball	230 V a.c.	50/60	0.05/0.05	5.0/5.0	68/73	53/61	37/39	3,000/3,200	CE

data with uncertainty of 15% (T) terminals (W) wires