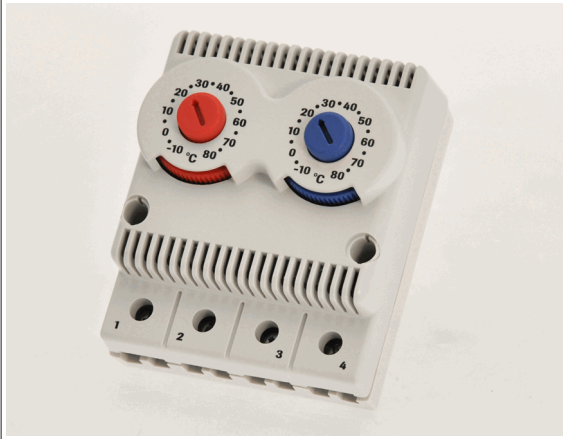
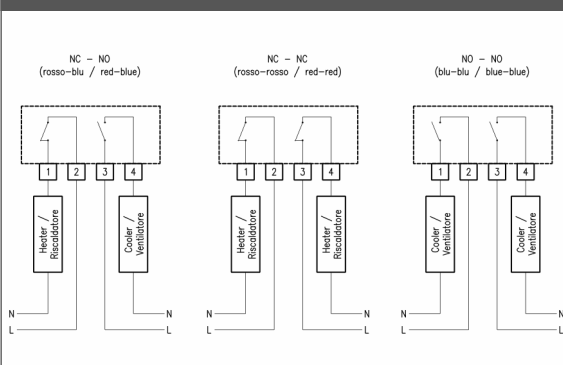
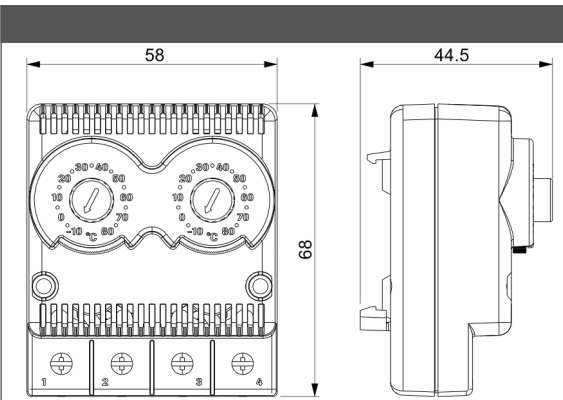


## MECHANICAL THERMOSTAT

Description: **Twin Thermostat for rail**



<b>Version</b>	NC-NO (red-blue) ; NC-NC (red-red) ; NO-NO (blue-blue)
<b>Enclosure material</b>	PA66 UL 94V-0
<b>Color</b>	grey RAL 7035
<b>Protection degree:</b>	IP20
<b>Mounting on:</b>	DIN rail 35 mm (EN 50 022)
<b>Fixing method:</b>	snap on
<b>Electrical connection:</b>	screw terminals
<b>Electrical section wires:</b>	from 0.75 mm <sup>2</sup> to 2.5 mm <sup>2</sup>
<b>Sensing element type:</b>	bi-metallic
<b>Setting/indexing:</b>	external Knob / 5°C
<b>Operating temperature:</b>	from -10°C to +80°C
<b>Storage temperature:</b>	from -40°C to +90°C
<b>Temperature scale:</b>	available with Fahrenheit degree scale (°F)
<b>External dimensions:</b>	58x68x44,5 mm
<b>Endurance:</b>	> 100.000 + 100.000 cycles
<b>Applicable standards:</b>	EN 60730-1
<b>Approvals:</b>	CE



Model	Rated Voltage Range (Va.c.) 50/60Hz	Rated Current (A)	Contact Current (A)	Setting Range (°C)	Differential (referred to set point) (°C)	Accuracy (°C)	Net Weight (kg)
TRT2-10A230V-NCNC	110-250	10 + 10	15 + 15	-10 - +80	-3	±3	0.1
TRT2-10A230V-NCNO	110-250	10 + 10	15 + 15	-10 - +80	-3 (NC) / +4 if A < 5 ; +7 if A > 5 (NO)	±3	0.1
TRT2-10A230V-NONO	110-250	10 + 10	15 + 15	-10 - +80	+4 if A < 5 ; +7 if A > 5	±3	0.1

Rated Current: 6+6A for inductive load with cos f = 0.6

All specifications, data and drawing are subject to change without notice and are approximate. Please refer to our terms of sales including our warranty and limited liabilities clauses.