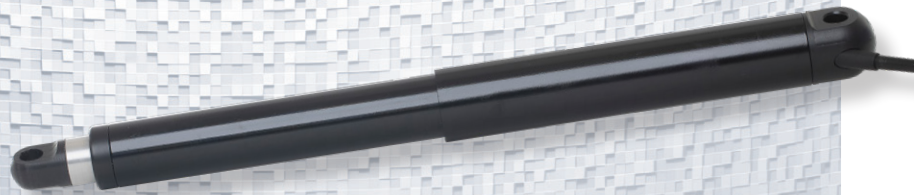


con25

Linear In-line Actuator



Standard Specifications

Gear ratio		25	66	110
Maximum load	[N]	110	310	370
Speed at maximum load	[mm/s]	5	2	1,5

Motor/Gear

24 VDC permanent magnet motor (max. current for ratio 25-66-110 is 0,4 A, absolute max. voltage is 28 VDC)

12 VDC permanent magnet motor (max. current for ratio 25-66-110 is 0,7 A, absolute max. voltage is 14 VDC)

**Max. static load/
Self locking force**

PA brackets: 1000 N

Depending on stroke length for push-applications

Max. Load limited to 250 N for stroke lengths > 250 mm

Temperature

■ Operation: - 20 °C to + 70 °C ■ Storage: - 40 °C to + 70 °C

Protection class

IP66 Storage

Cable specification

1 m, 2 x 0,50 mm² (AWG20), Ø = 4.8 mm, black, Molex Mini-Fit Jr. 6 pin

Bending Radius

6 x cable diameter

Materials

Motor and actuator tube are powder coated Aluminum and Piston rod is Aluminum.

Front and rear brackets are PA

Duty cycle

Max. 10 % or 2 minutes in use followed by 18 minutes rest

Color

Black (RAL 9005)

Stroke length/weight

Stroke	[mm]	50	100	150	200	250
Weight	[kg]	0.3	0.35	0.4	0.45	0.50

Actual weight may vary depending on model and options selected

Options

- Brackets with clevis on request
- Other cable lengths (1 - 9 m)

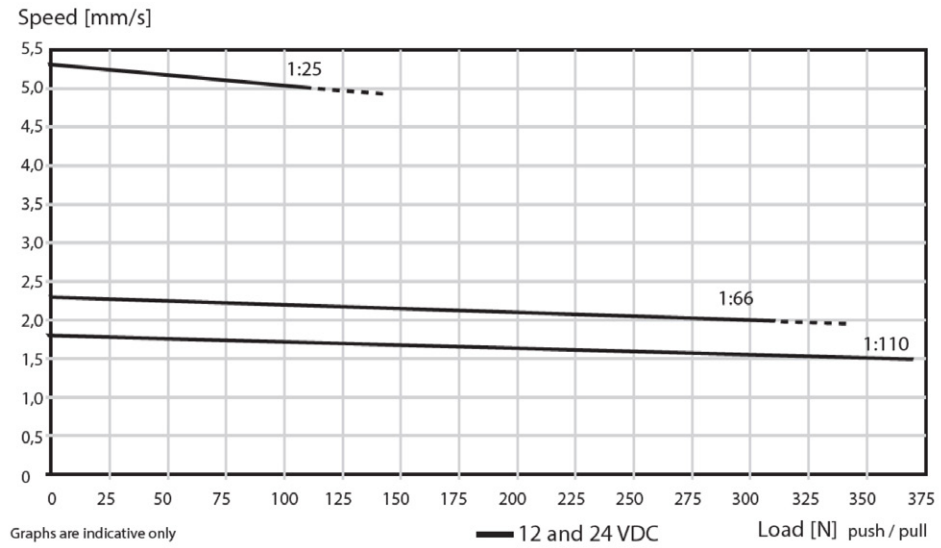
On Request

- Available in all RAL colors
- Other stroke lengths available
- Customised front and rear brackets
- Customised build-in-dimensions

Contact Concents for any special requirements

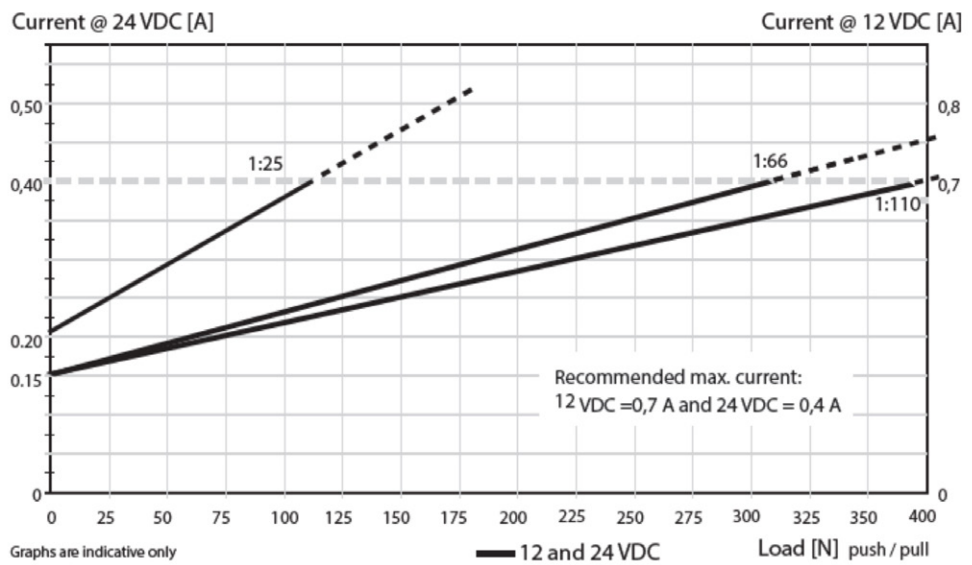
con25

Speed/Force



Current/Force

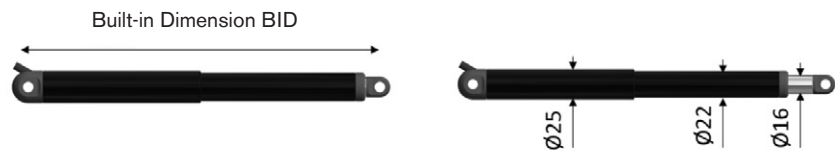
Use in the dashed area is not recommended. Please contact Concens for further information.



Dimensions

Axial backlash:
+/- 0.5 mm

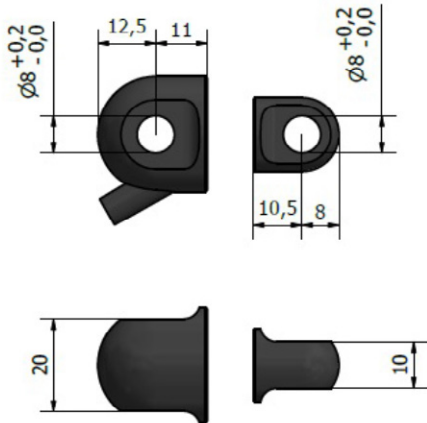
General
dimensional
variation:
+/- 1 mm



Gear Ratio	Standard
All ratios	170 mm + stroke

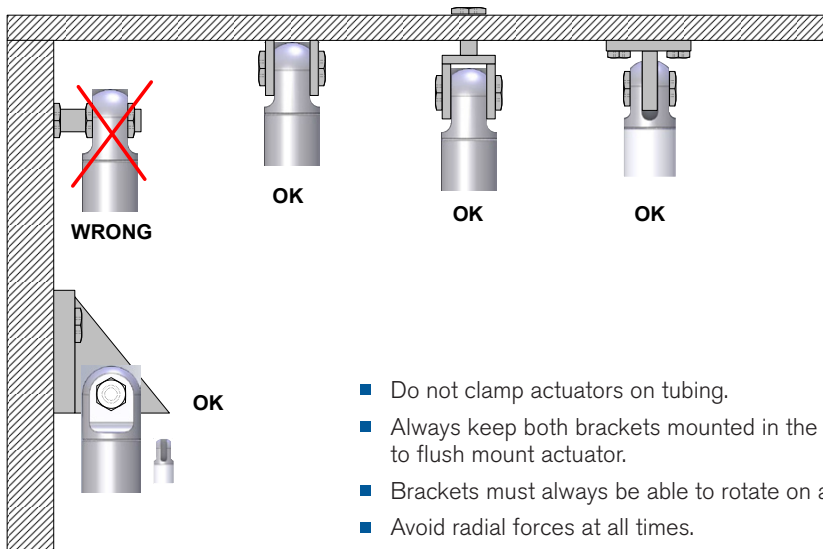
con25

Standard Brackets



Polyamide (PA)
Max. static load 1000 N

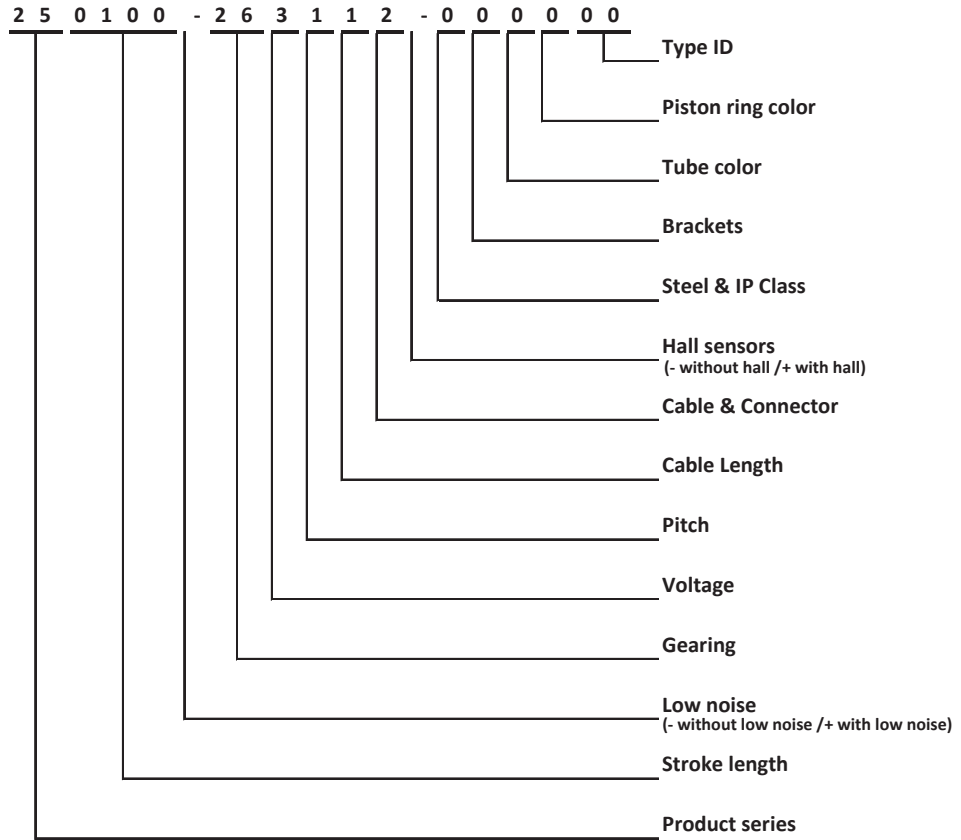
Recommended Mounting Methods



- Do not clamp actuators on tubing.
- Always keep both brackets mounted in the same orientation and ensure to flush mount actuator.
- Brackets must always be able to rotate on axels in mountings.
- Avoid radial forces at all times.

con25

con25 Item Number Combination



con25

Recommendations and warnings

- Never expose the actuator to hammer strike during installation or in other situations.
- Power supply without over-current protection can cause serious damage to the actuator at mechanical end-stop or when actuator is overloaded in another way.
- Keep piston tube clean.
- Longer cable lengths may cause voltage drop which affects the performance of the actuator.
- Function of the actuator is subject to the settings of the controller. If using your own controller please contact Concens.
- All specifications are for 25 °C ambient – low temperature might affect performance.
- Depending on load and application, nominal and actual stroke length may differ due to internal disc springs not being fully compressed.

Disclaimer

- Concens products are continuously developed, built and tested for highest requirements and reliability but it is always the responsibility of the customer to validate and test the suitability of our products in a given application and environment. Concens products must not be used in safety critical applications.
- We do our utmost to provide accurate and up-to-date information at all times. In spite of that, Concens cannot be held responsible for any errors in the documentation. Specifications are subject to change without prior notice.

For more information, please visit our website at www.concens.com

