

C4

Battery Based Actuator
Control System

concens 
- excellent electric actuators



The Concens C4 system is a versatile solution for control of electric actuators. The unique design, strong power supply system and the option of controlling multiple actuators makes the C4 system attractive for use in various applications.

The C4 system consists of:

- Control Box
- Handset
- Battery
- Battery charger

The C4 concept is designed for optimal flexibility making configuration, programming and installation very easy. Additionally, service and replacement of e.g. batteries are extremely easy with the patented magnetic principle. No tools are required.

The C4 Control Box is designed to handle up to four actuators in groups, synchronous or individually. It is controlled with a wired handset, which can be delivered in five different button layouts depending on customer needs. Furthermore, the C4 can be equipped with emergency stop.

The C4 system contains a rechargeable 24VDC NiMH or Li-Ion battery, enabling the actuator solution to be fully mobile.

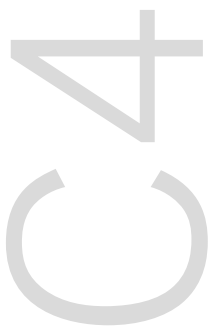
Standard C4 solution includes IP50 protection with IP65 protection available.

Features

- 4-channel fully programmable controller
- Battery powered for mobile use
- 24VDC NiMH or Li-Ion replaceable battery
- Patented battery system
- Customized colors and foil design
- Wired handset
- Adjustable soft- start and stop
- Adjustable current limit in and out
- Adjustable calibration speed and current
- Adjustable virtual min/max-position
- Individual or synchronous operation for drive 2-3-4 or 2+2 actuator
- Audible and visual status signal

Technical Data

Supply	24VDC NiMH or Li-Ion battery
Idle current	< 5mA
Current limit	8A/ch max. total 12A
Current trip delay	30ms
Ramps	0-3 sec
Operating temp.	-20..70°C
Connector type	Molex Mini-Fit 6 pin
Weight	Control Box 430g NiMH Battery Charger: 430g Li-Ion Battery Charger: 410g Battery: 530g (Li-Ion: 400g)
Battery Capacity	NiMH: 1400m Ah Li-Ion: 2100m Ah



System Components



C4 Control Box



C4 Brackets



Handsets



Customizable Foils



Battery Charger



Battery

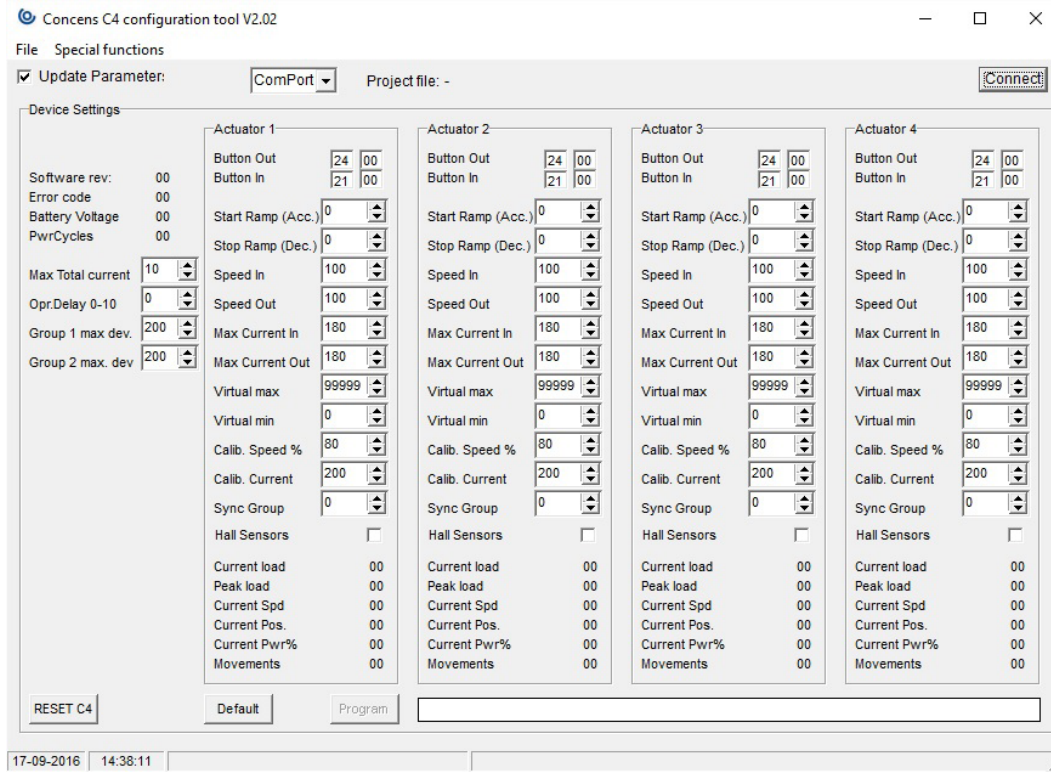
Electrical Connections

C4

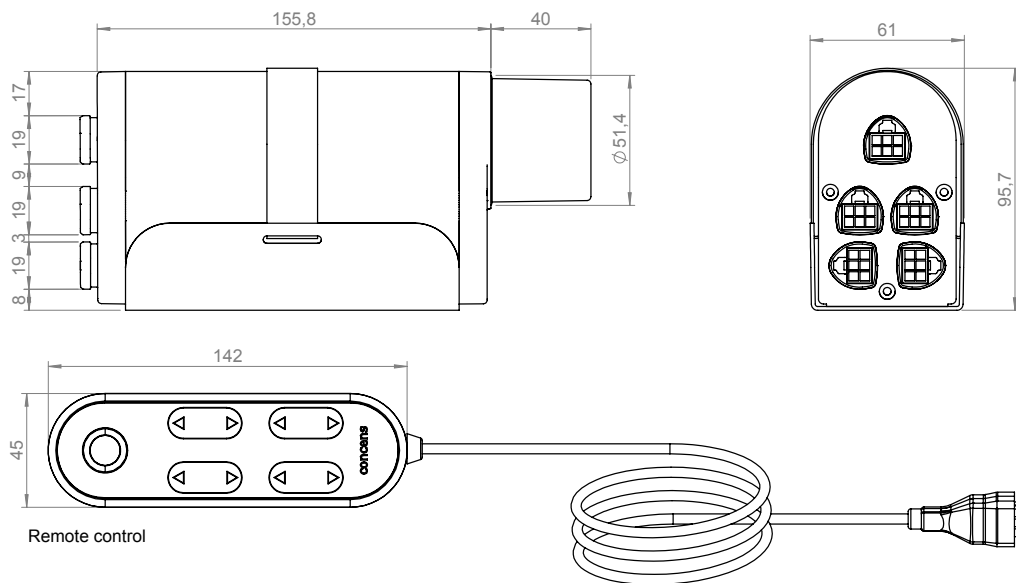


- ① Actuator 1
- ② Actuator 2
- ③ Actuator 3
- ④ Actuator 4
- ⑤ Handset,
External Power
Emergency Stop

System Parameters

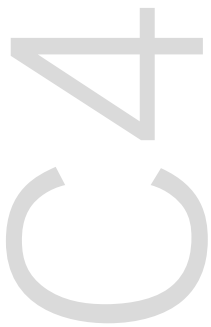
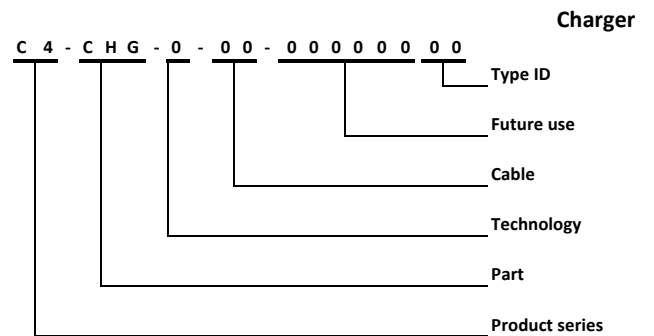
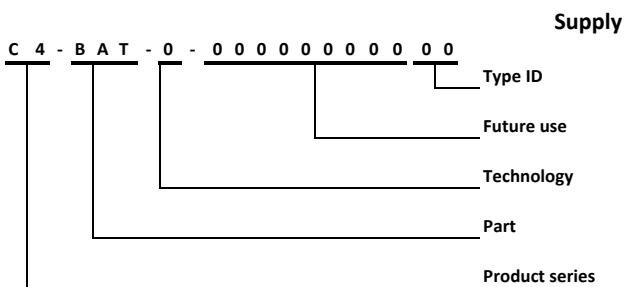
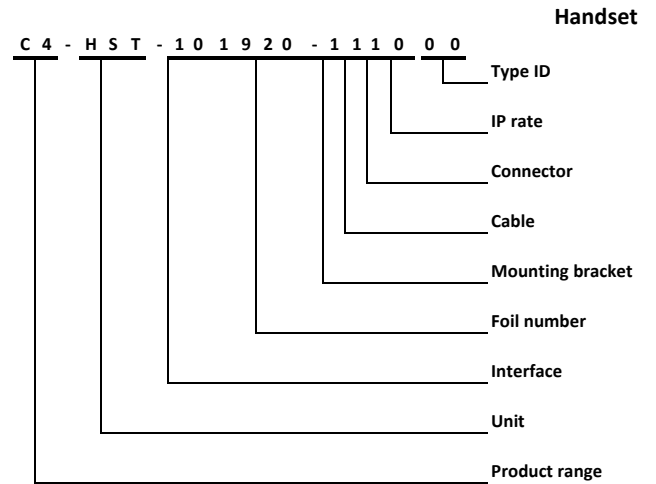
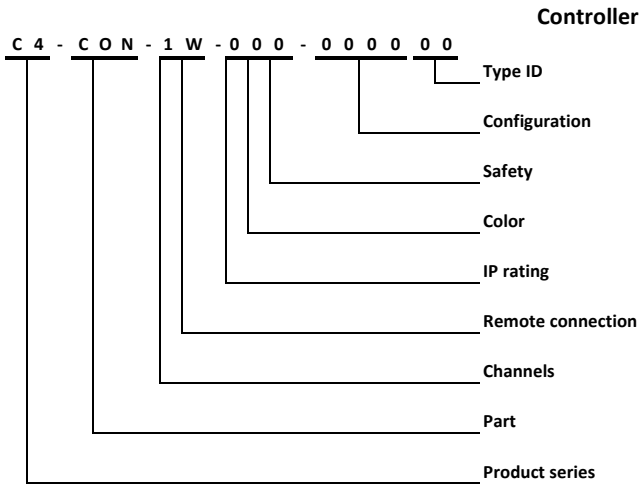


Mechanical Dimensions



C4

C4 Item Number Combination



Please Note

- Concents does not have any responsibility over the possible errors in this data sheet
- Specifications subject to change without notice