

TP19UD48B54

DC

> CONTACT US



TP series roof exhaust units represent an optimal solution for heat dissipation through the top of electrical cabinets. They are ideal for indoor use where there is limited space on the front and side panels. According to the ambient conditions these units can be operated with fan (forced air) or without a fan (natural air convection).

Technical data		
<b>APPROVALS</b>		
Approvals	CE	
<b>PERFORMANCE</b>		
Max Airflow	543	m <sup>3</sup> /h
	320	CFM
Airflow with Exhaust Filter	500	m <sup>3</sup> /h
	294	CFM
Max Static Pressure	435	Pa
	1.75	in H <sub>2</sub> O
<b>ELECTRICAL DATA</b>		
Tachometer Output	3	pulse/revolution
Rated Voltage	48	V d.c.
Rated Current	1.94	A
Rated Power	93	W
Motor Protection	Electronically Protected	
<b>GENERIC DATA</b>		
RAL Number	7035	
Electrical Connection	Terminal Block	
Life Expectancy	20000	h at 55 °C
	20000	h at 131 °F
Wires Section	1.5-4	mm <sup>2</sup>
	16-12	AWG

Image is for illustrative purpose only. All specifications, data and drawing are subject to change without notice. Please refer to our terms of sales including our warranty and limited liabilities clauses.

TP19UD48B54

DC

> CONTACT US

Technical data		
Noise	63.0	dB(A)
Filter Class	ISO coarse 30%	ISO 16890
Filter Class	G2	EN 779
Filter Material	thermo-linked progressive structure synthetic fibre	
ENVIRONMENTAL AND THERMAL DATA		
IP Protection Degree	IP54	
Operating Temperature	-20÷55	°C
	-4÷131	°F
Storage Temperature	-25÷60	°C
	-13÷140	°F

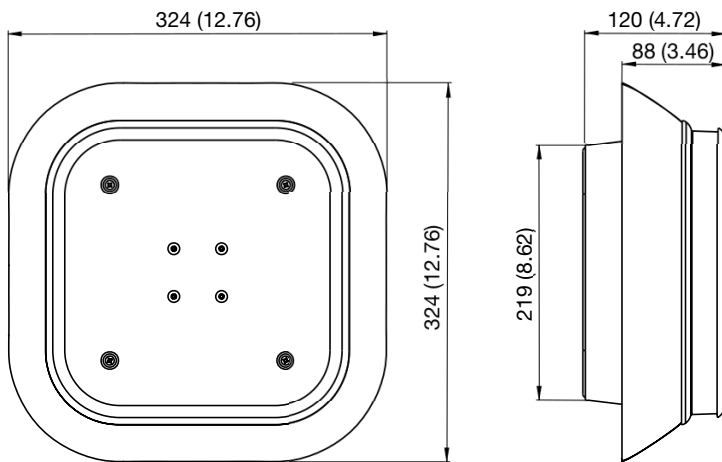
Image is for illustrative purpose only. All specifications, data and drawing are subject to change without notice. Please refer to our terms of sales including our warranty and limited liabilities clauses.

TP19UD48B54

DC

> CONTACT US

Technical drawing mm (in)



Mounting cut-out mm (in)

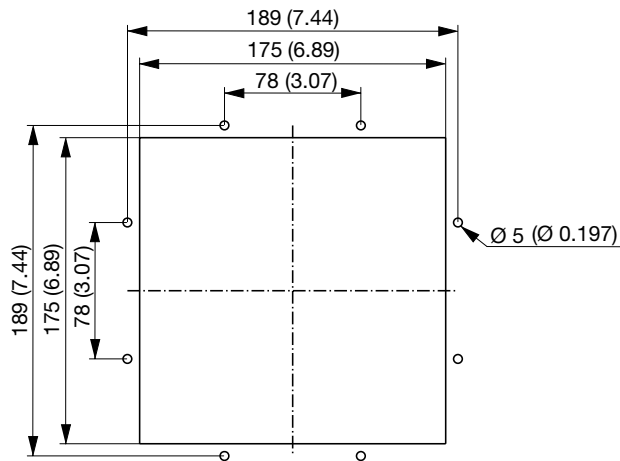


Image is for illustrative purpose only. All specifications, data and drawing are subject to change without notice. Please refer to our terms of sales including our warranty and limited liabilities clauses.

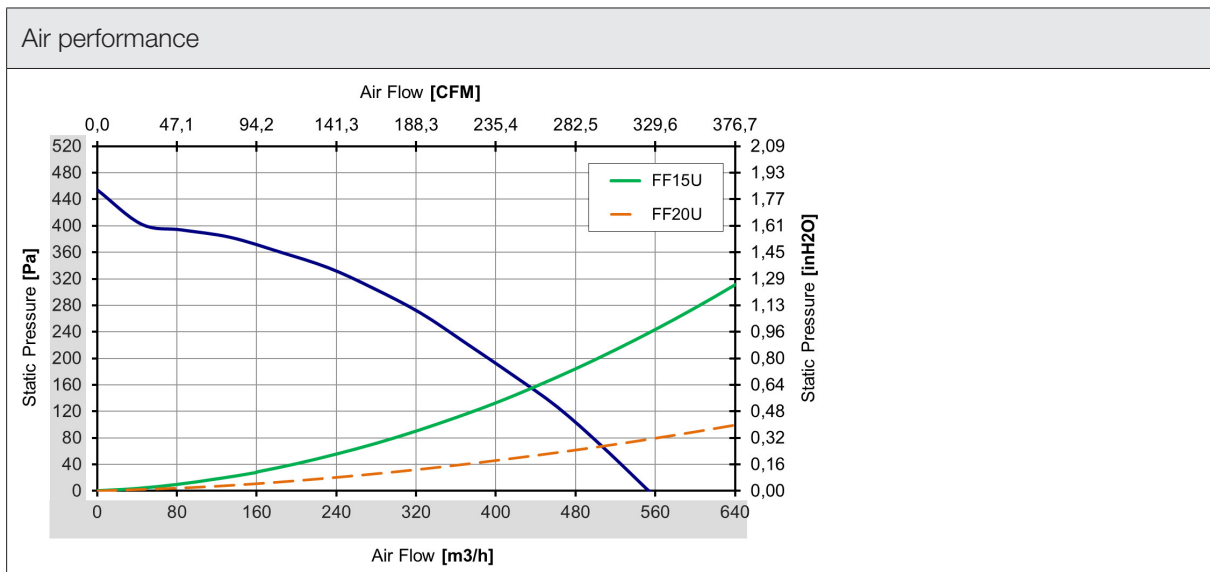
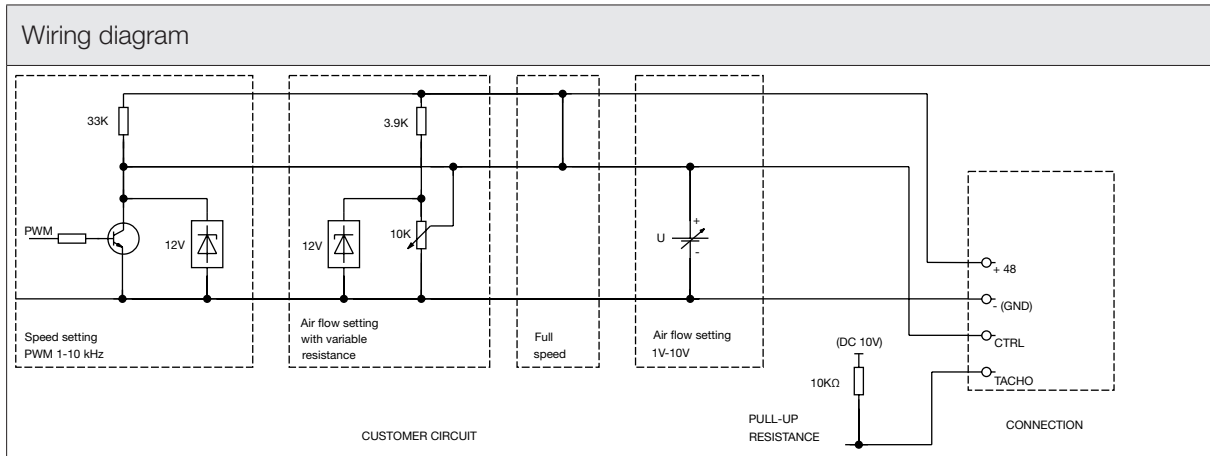


Image is for illustrative purpose only. All specifications, data and drawing are subject to change without notice. Please refer to our terms of sales including our warranty and limited liabilities clauses.